

# EXTRACTION TOOLS COMPENDIUM

## What is an extraction tool?

The majority of the connectors from TE Connectivity (TE) consist of connector housings and terminals.

After having been crimped to a wire, the individual terminal is inserted into the cavity of the housing. When the terminal has been properly inserted into the cavity one, two or more locking lances, being integrated parts of the terminal keep the terminal in the housing. After the terminal has been inserted deeply enough into the cavity, the locking lances open in that position and thereby prevent the terminal from slipping out of the housing cavity.

If a connector needs to be repaired, the terminal has to be extracted from the housing. This requires the locking lances to be closed prior to the extraction process. This is the purpose of an extraction tool.

The extraction tool is designed to fit to the geometry of the housing as well as the geometry of the terminal. As shown in the pictures here, the extraction tool is inserted into the front part of the connector housing. Then the terminal is extracted from the housing cavity on the opposite side of the connector.

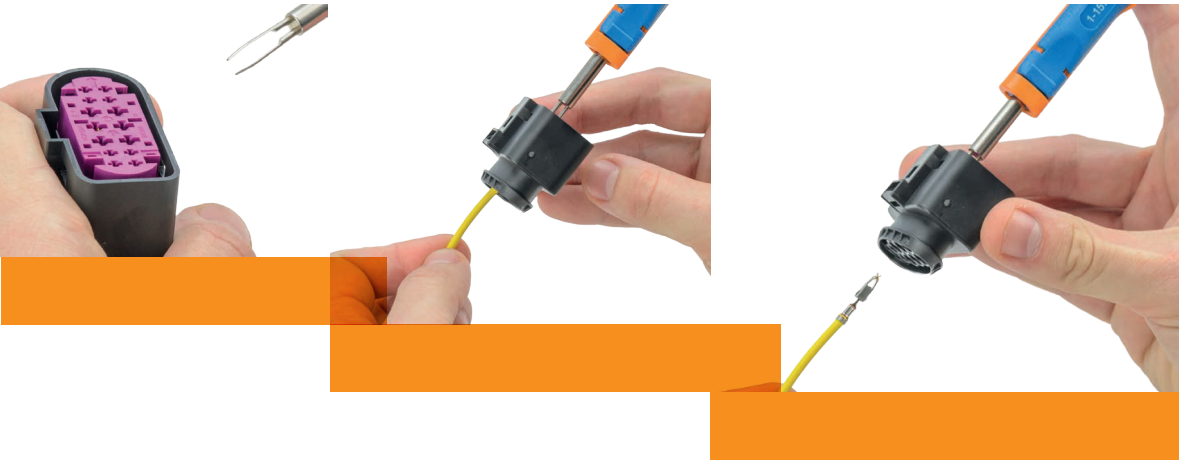
## Different connectors - different housings and terminals - different extraction tools.

To give you a better overview, this document contains:

- An overview on typical extraction tools sold by TE Connectivity
- An introduction into the TE.COM website and its search function giving you full information and documentation of the connectors from TE Connectivity
- An introduction into the Application Tooling hand tool search function, which leads you to the correct extraction tools after you have entered the terminal part number
- An overview of the main connector product lines from TE Connectivity and a cross-reference table, which shows the possible extraction tools being used for the housing Part Numbers or terminal Part Numbers listed in the table. The connector product line are shown alphabetic order.

Please consider, that for a terminal or a housing there may exist several extraction tool Part Numbers. Reason for this is the fact, that several extraction tools fit to different contacts (see cross-reference tables below). In such cases, please cross-check with the drawings and specifications provided by the TE.COM website.

The advantage of this PDF document is, that by entering the extraction tool part number into the search window, you will be shown all the contact PNs, to which the selected extraction tool can apply also.



## Other tools belonging to this product line :

### Insertion tools:

Terminals need to be unlocked by using extraction tools. TE also offer special tools for the insertion of crimped terminals into connector housings.

These insertion tools are needed, if a seal is applied to the single wire, before the terminal is crimped. The seal is crimped to the terminal by a seal crimp. Then the terminal with the sealed wire has to be stuffed into the connector housing cavity. It is necessary in order to make sure, that the terminal is pressed deeply enough into the cavity, so that the locking lances engage correctly in the housing. For this purpose you need an insertion tool.

### Locking and unlocking tools for the secondary locking:

Due to special requirements from Automotive OEMs many contacts (example MCON contact) dispose of a secondary locking mechanism inside the contact housing, which - in addition to the locking lances - assure, that the terminals cannot slip out of the housing.

Here you need special locking/unlocking tools, which are mentioned in the contact-related specifications, which you can retrieve from the [TE.COM](https://www.te.com) website.

### General remarks:

We offer extraction tool kits to our customers : Suit-cases containing 20 or more tools of this product line.

This is specially useful for repair shops of car manufacturers, in which wire harnesses have to be repaired.



## Connector Product Lines in this Overview

GPL Description	GPL Description
0.64/025 - Connectors	Mini 0.50 - Connector
0.64/025 - Terminals	Mini 0.50 - Terminals
AMP 0.64 Connectors	MINI-UNIV MATE-N-LOK
AMP MCP - Connectors	MISC MIL-TYPE PRODUCT
AMP MCP - Terminals	MISC TERMS & SPLICES
AMPLIMITE - AEROSPACE	Misc Wire to Board
AMPMODU MOD I	MQS - Connectors
AMPMODU MOD II HRZ CN	MQS - Terminals
ASL & HE 13/14	MTA & SL 156
Central Electric Box	MULTILOCK - Connector
CIRCULAR PLASTIC CONN	MULTILOCK - Headers
COMM MATE-N-LOK CONN	MULTILOCK - Terminals
DIN	MULTIMATE CONTACTS
Econoseal - Connector	NG - Connectors
ECU Conn	NG - Terminals
ELO - Connectors	Others - Connectors
ELO - Terminals	Others - Headers
Eurocard IEC DIN41612	Others - Misc
FASTIN-FASTON	Others - Terminals
FASTON TERM PREM&COMM	Positive Lock
FAT	RAST 2.5 CONNECTORS
FFC Connectors	RAST 5 non-IDC
G SERIES PRODUCTS	Round Conn Sys-Conns
GET - Connectors	Round Conn Sys-Terms
HD20 CRIMP SNAP-IN	Seal Sensor Conn-Term
HD22 CRIMP-SNAP CONN	Single Wire Seals
Heavy Duty Hybrid Cn	Solar Installation Ma
HEMS Conn & Bat Solu	Superseal - Connector
HP/HPSL - Connectors	Superseal - Terminals
Infotain Cn-Fiber	TANDEM SPRING
Infotain Cn-HS Ele	Timer - Connectors
LEAVYSEAL	Timer - Terminals
MAG-MATE	Timers
MCON - Connectors	UNIVERSAL MATE-N LOK
MCON - Terminals	VAL-U-LOK
MICRO-MATCH	Z-PACK 2MM HM

# Extraction Tools for Multiway Housings

2-1579018-2



8-1579007-1 / Tool on Contact



8-1579007-1 / Tool & Contact separately



8-1579007-1 / Tool & Contact



# Fork Shaped Extraction Tools for Contacts with 2 Locking Lances

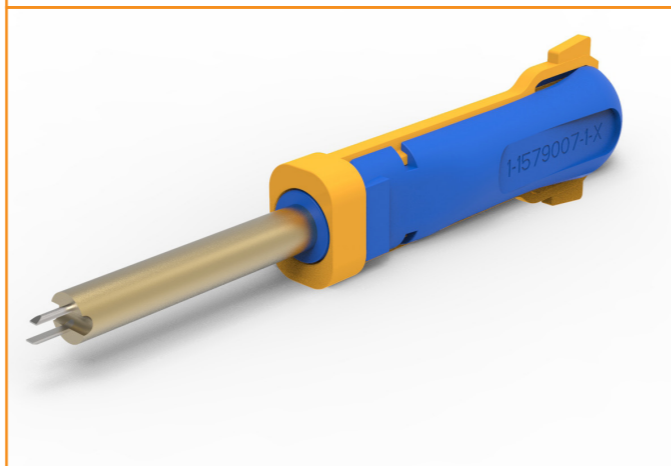
1579007-1 / View 1



1579007-1 / View 2



1-1579007-1

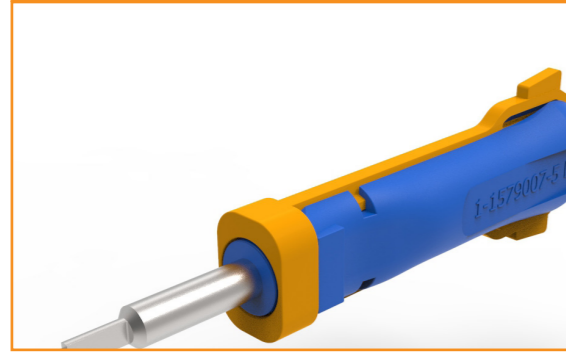


1-1579007-3

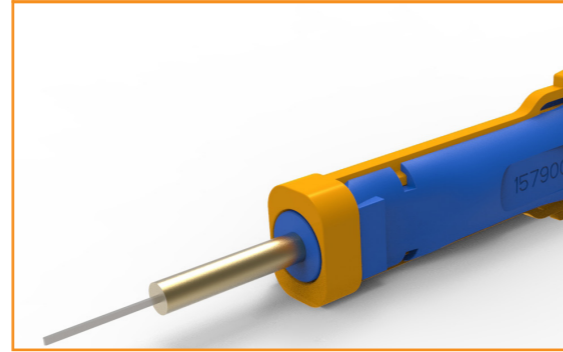


# Pin Shaped Tool for Extraction or Unlocking

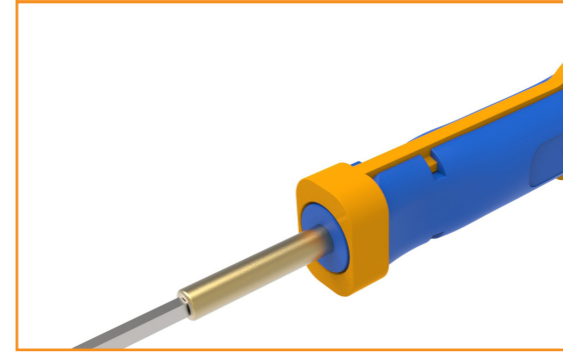
1579007-8



1-1579007-5



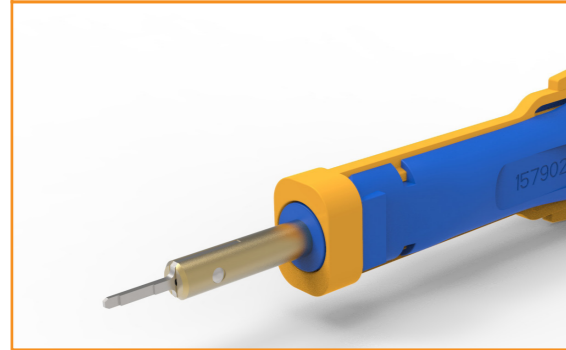
1-1579028-7



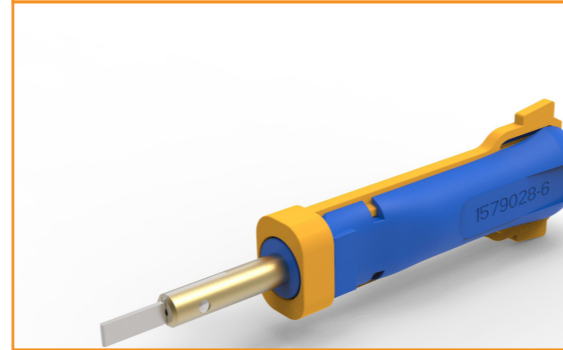
1-1579028-8



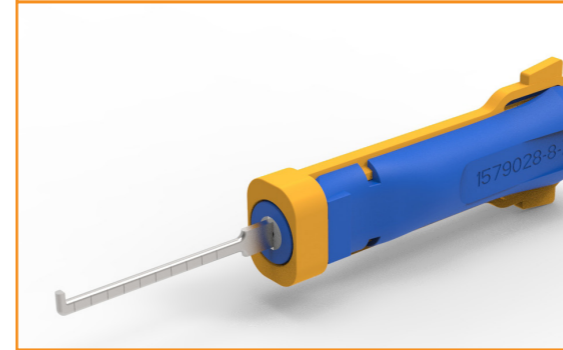
1579028-5



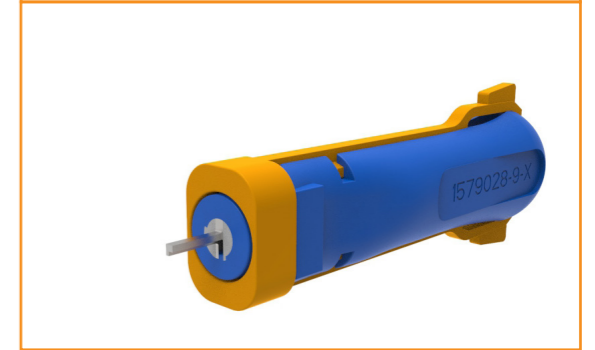
1579028-6



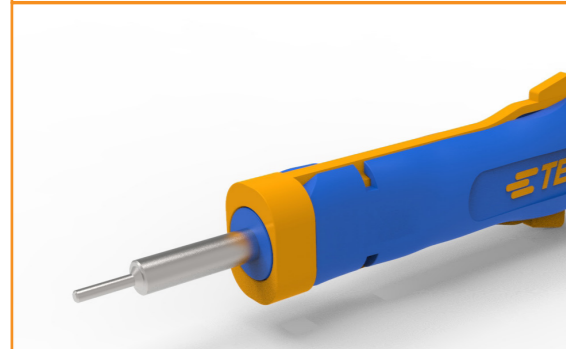
1579028-8



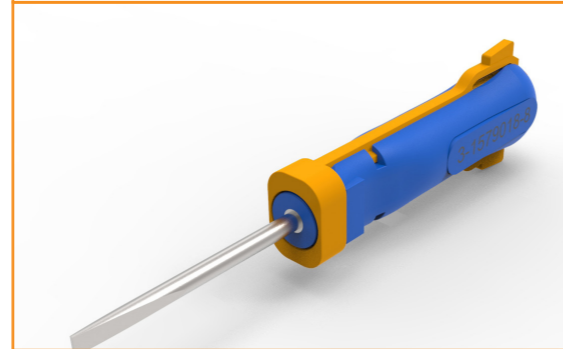
1579028-9



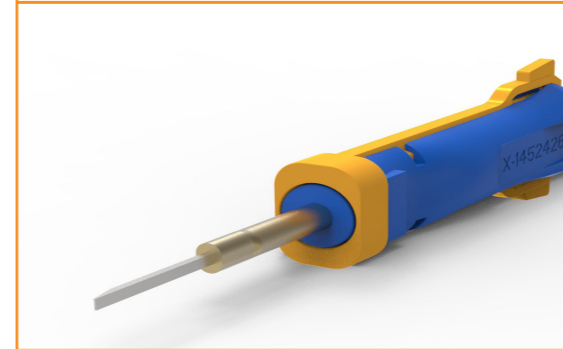
2-1579018-3



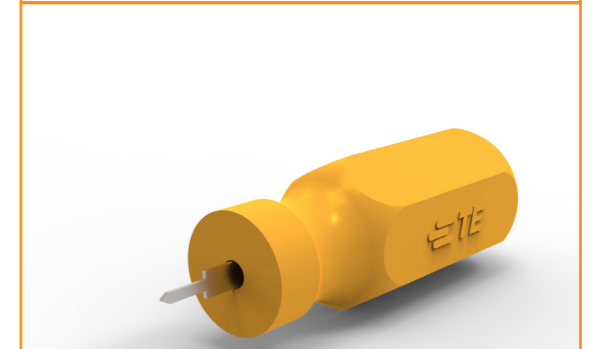
3-1579018-8



1452426-1



2047505-1





## Other Tools for Insertion and Extraction

1579008-9



3-1579007-2



8-1579018-6



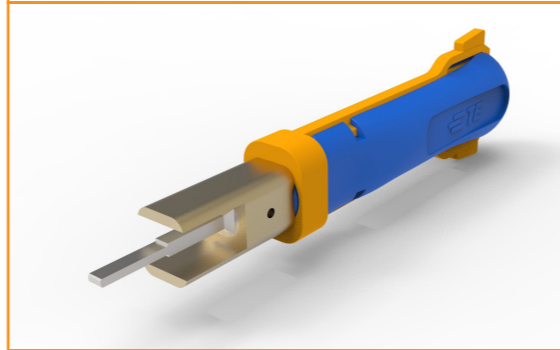
1-1579028-5



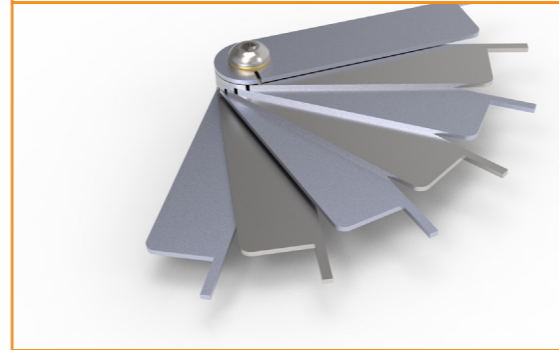
2-1579018-4



8-1579018-5



13355968



1534197



1579028-3



1-1579007-8



4-1579007-5



9-1579007-5

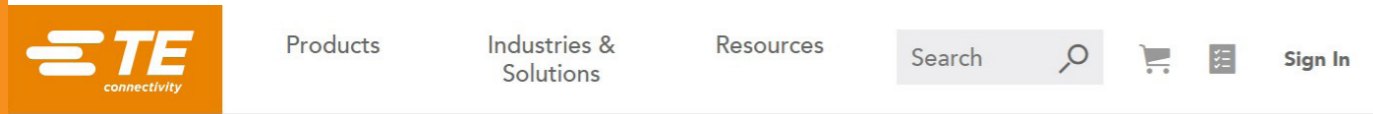
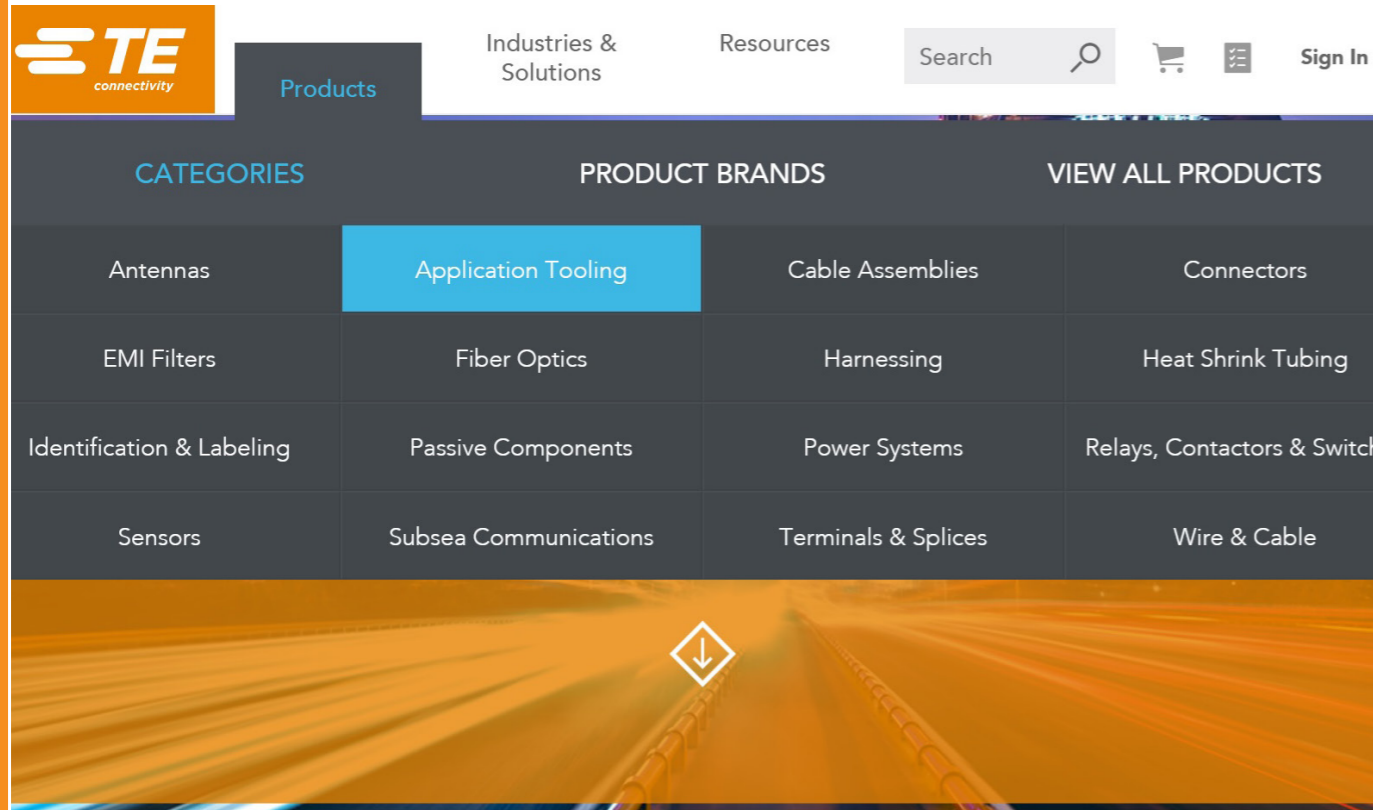


2-1579028-0



Use of Application Tooling search function TE.COM (<http://www.te.com/usa-en/products/application-tooling/hand-tools-search.html>) for the identification of the right extraction tool Part Number.

Procedure : (1) Start with [www.te.com](http://www.te.com), then select Application Tooling. (2) Click on magnifying glass. (3) Enter terminal PN into mask. (4) Click on Strip PN. Then a list of Hand Tools, including the insertion/extraction tools is shown for the terminal.



QUALITY YOU CAN RELY UPON

TE has a long legacy of pioneering wire harness production and printed circuit board processing. Our diverse portfolio of equipment and services are optimized to meet your production needs and budget.



## APPLICATION TOOLING CROSS REFERENCE

Looking for the right Hand Tool, Applicator, or Applicator Spare Part? Try our easy-to-use Hand Tool search app, Applicator Cross Reference Tool, or Applicator Spare Parts search app.

Enter a Contact/Terminal, Connector or Tool Part Number here:

968857 Search

Strip PN	Loose PN	Description
<u>968857</u>	<u>968876</u>	AMP MCP 2.8 Receptacle (SWS) 1.0-2.5mm <sup>2</sup> ; Ins. Ø2.2-3.0mm FLR: LP of 968857

Equipment available to apply:  
 [ ]-968857-[ ] all dash numbers  
 AMP MCP 2.8 Receptacle (SWS) 1.0-2.5mm<sup>2</sup> [18-14]; Ins. Ø2.2-3.0mm FLR: Strip

Tool PN	Type	Grade	Wire Range
<u>5-1579010-3</u>	Hand Tool Kit - MCP contacts	Service	refer to each Die-set
<u>519609-1</u>	Insertion Tool	Service	
<u>1-1579007-2</u>	Standard Extraction Tool for Housings; 1452380, 1452400, 1452415, 1452419	Service	
<u>1579007-1</u>	Standard Extraction Tool for Housings; 185402, 185403 & 1394682	Service	
<u>5-1579008-7</u>	Standard Extraction Tool for Housings; 1801286 & 1801326	Service	

Search function on TE.COM ([www.te.com](http://www.te.com)) for download of Part Number related documentation (terminals, connectors, etc. and tools).

The drawings of the extraction tools show in some cases, that the tools can be applied to different contact systems (example below: 1579007-1, applying to JPT and MCP contacts).

1579007-1

TE connectivity  
Products Industries & Solutions Resources Search Sign In

HAPPENING NOW > TE Connectivity reports double-digit growth in sales and earnings for the second quarter of fiscal year 2018; raises guidance for the full year.

ENGINEERED SOLUTIONS FOR RELIABLE CONNECTIVITY

# SEARCH. FIND. CONNECT.

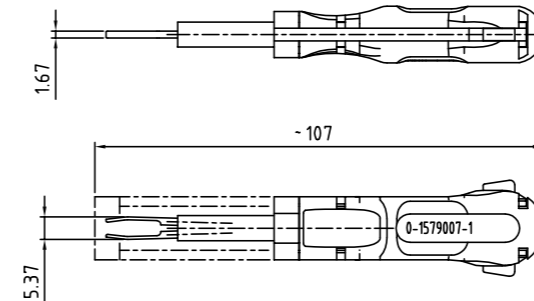
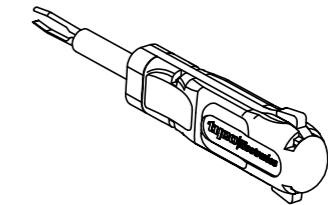
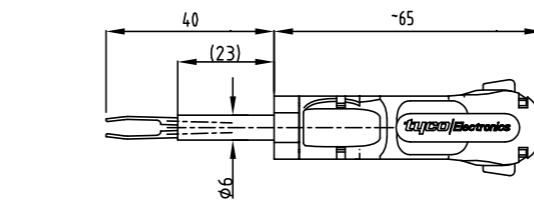
TE products help you put more data, power, and signal into the technology you design and build.

## TOP-SELLING PRODUCTS ON TE.COM

HDSCS HOUSINGS LEAVYSEAL HEADERS AMPSEAL 16 HOUSINGS SUPERSEAL 1.0 HOUSINGS

[www.te.com](http://www.te.com)

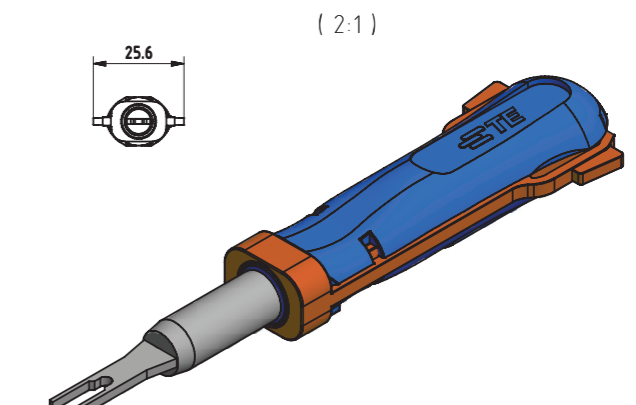
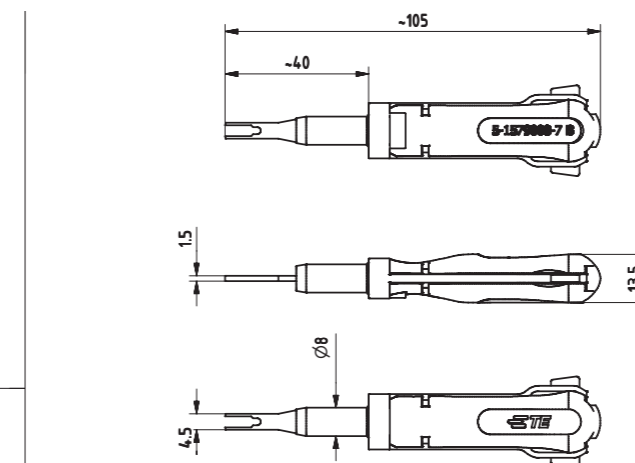
Enter the Part Number into the "Search" window.



APPLICATION RANGE / Anwendungsbereich :

CONTACT JPT: 144431-1, 144431-3, 6-144431-1, 144432-1, 144432-2, 144432-3  
HOUSING JPT: 185402, 185403

CONTACT MCP 2.8: 968880, 968849, 969851, 968855, 968857, 968859, 967701, 967702, 967703, 967541, 967542, 967543  
HOUSING MCP 2.8: 1394682



APPLICATION RANGE / Anwendungsbereich:

FOR CONTACT MCP 2,8 :  
968855, 968857,  
FOR HOUSING MCP 2,8 :  
1801286-x, 1801326-x

THIS DRAWING IS A CONTROLLED DOCUMENT.		OWN: L. Sandhu 29.07.2009	TE Connectivity	
DIMENSIONS: mm		DRW: S. Samstag 13.08.2009	NAME: EXTRACTION TOOL	
TOLERANCES UNLESS OTHERWISE SPECIFIED:		APPD: S. Samstag 13.08.2009	ENTRIEGLUNGSWERKZEUG	
Ø PLC	H	PRODUCT SPEC	SIZE: A3	RESTRICTED TO
2 PLC	F	APPLICATION SPEC	CAGE CODE: 00779	DRAWING NO: 5-1579008-7
3 PLC	M	MATERIAL	SCALE	SHEET
4 PLC	B	FINISH	SCALE	SHEET
ANGLES	A	DRWGT / WEIGHT: 0.017 kg	SCALE	SHEET
CUSTOMER DRAWING		REV.		

## AMP 0.64

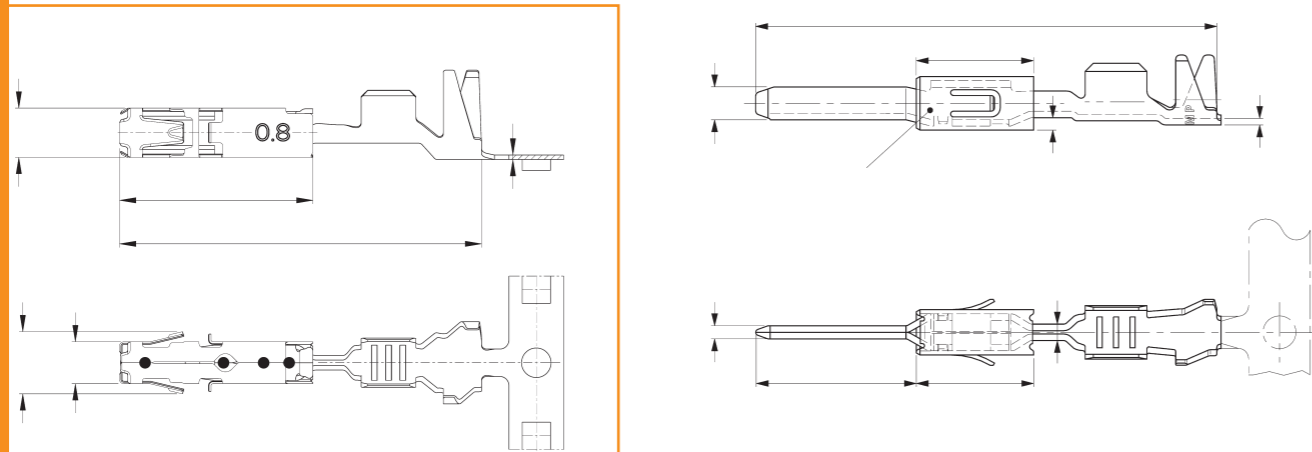
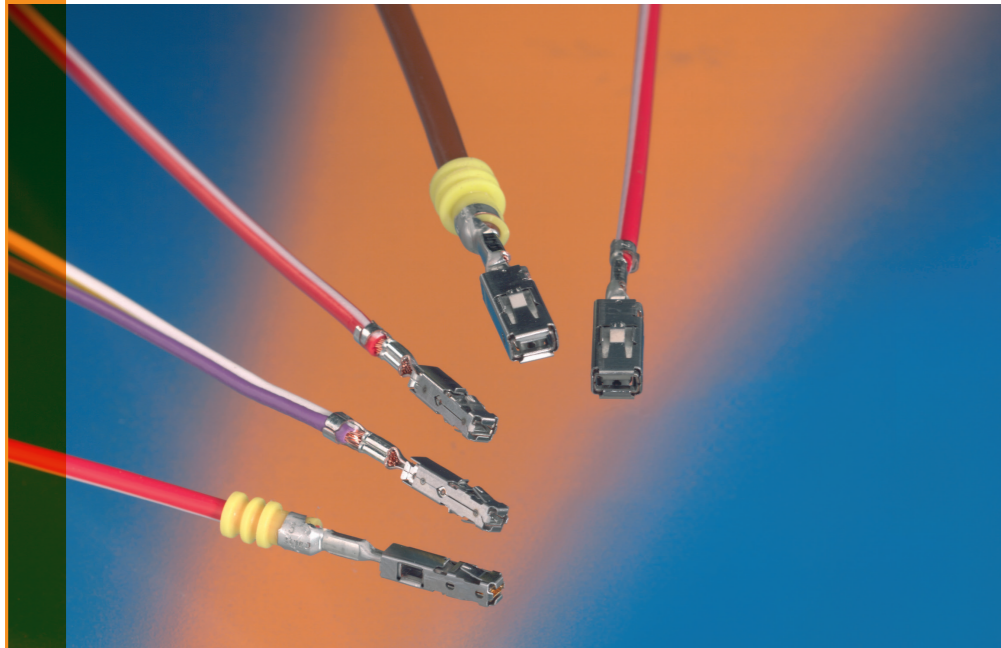


## AMP MCP CONNECTORS



Product Line	Part Number Housing or Terminal	Category	Part Number Extraction Tool
<b>0.64/025 - Connectors</b>	1318305	Housing	1276565-1
	1376103-1	Housing	4-1579008-5
	1376106-1	Housing	4-1579008-5
	1379674-1	Housing	1579007-8
<b>0.64/025 - Terminals</b>	1123343	Terminal	1276565-1
	1376109-1	Terminal	4-1579008-5
	1376607-1	Terminal	4-1579008-5
	1674742-1	Terminal	1579007-8
<b>AMP 0.64 Connectors</b>	638514	Housing	9-1579007-0
	638517	Housing	9-1579007-0
	638518	Housing	9-1579007-0
<b>AMP MCP - Connectors</b>	1-1355380-1	Housing	5-1579018-5
	1355396	Housing	5-1579008-7
	1418589-1	Housing	1-1579007-2
			1579007-1
			5-1579008-7
	1564975	Housing	8-1579018-2
			8-1579018-3
	1718564-1	Housing	1-1579007-2
			1579007-1
	1801286	Housing	4-1579018-3
			5-1579008-6
			5-1579008-7
	1801326	Housing	5-1579008-6
			5-1579008-7
2208902	Housing	1-1579028-4	
284844	Housing	1579008-9	
		965720-1	
284848	Housing	1579008-9	
		965720-1	
953733	Terminal	1379849-1	

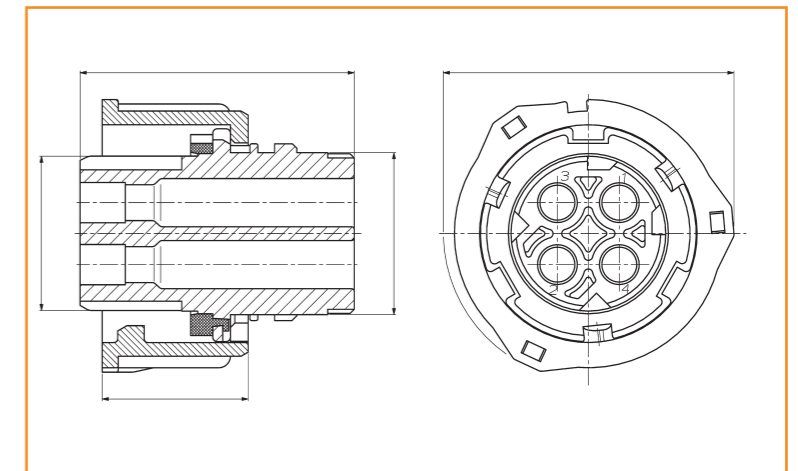
## AMP MCP TERMINALS



Product Line	Part Number Housing or Terminal	Category	Part Number Extraction Tool
AMP MCP - Terminals	1241372	Terminal	1-1579007-1
	1241374	Terminal	1-1579007-1
	1241376	Terminal	1-1579007-1
	1241378	Terminal	1-1579007-1
			1579008-9
			5-1579018-6
			965720-1
	1241380	Terminal	1-1579007-1
			1579008-9
			5-1579018-6
			965720-1
	1241394	Terminal	1-1579007-2
			1579007-1
			1579008-9
			5-1579018-6
			965720-1
	1241394-1	Terminal	5-1579008-7
	1241396	Terminal	1579008-9
			5-1579018-6
			965720-1
1241400	Terminal	1-1579007-3	
1241402	Terminal	1-1579007-3	
1241404	Terminal	1-1579007-3	
1241406	Terminal	1-1579007-3	
1241408	Terminal	1-1579007-3	
1241410	Terminal	1-1579007-3	
1241412	Terminal	1-1579007-3	
1241414	Terminal	1-1579007-3	
1241416	Terminal	1-1579007-3	
1241417-3	Terminal	8-1579018-2	
1241418	Terminal	1-1579007-3	

Product Line	Part Number Housing or Terminal	Category	Part Number Extraction Tool
AMP MCP - Terminals	1418884	Terminal	1-1579007-1
	1534334	Terminal	1-1579007-1
			539968-1
	967541	Terminal	1579007-1
	967542	Terminal	1579007-1
	967543	Terminal	1579007-1
	967588	Terminal	1241573-1
			539971-1
	967589	Terminal	1241573-1
			539971-1
	967590	Terminal	1241573-1
			539971-1
	967591	Terminal	1241573-1
			539971-1
	967702	Terminal	1579007-1
	968087	Terminal	6-1579018-4
			968928-1
	968088	Terminal	6-1579018-4
			968928-1
	968849	Terminal	1579007-1
			5-1579008-7
			929039-1
	968853	Terminal	2-1579007-3
	968855	Terminal	1579007-1
			5-1579008-6
			5-1579008-7
			929039-1
	968857	Terminal	1579007-1
			4-1579018-3
			5-1579008-6
5-1579008-7			
929039-1			
968859	Terminal	1579007-1	
		929039-1	
968880	Terminal	1579007-1	
		929039-1	

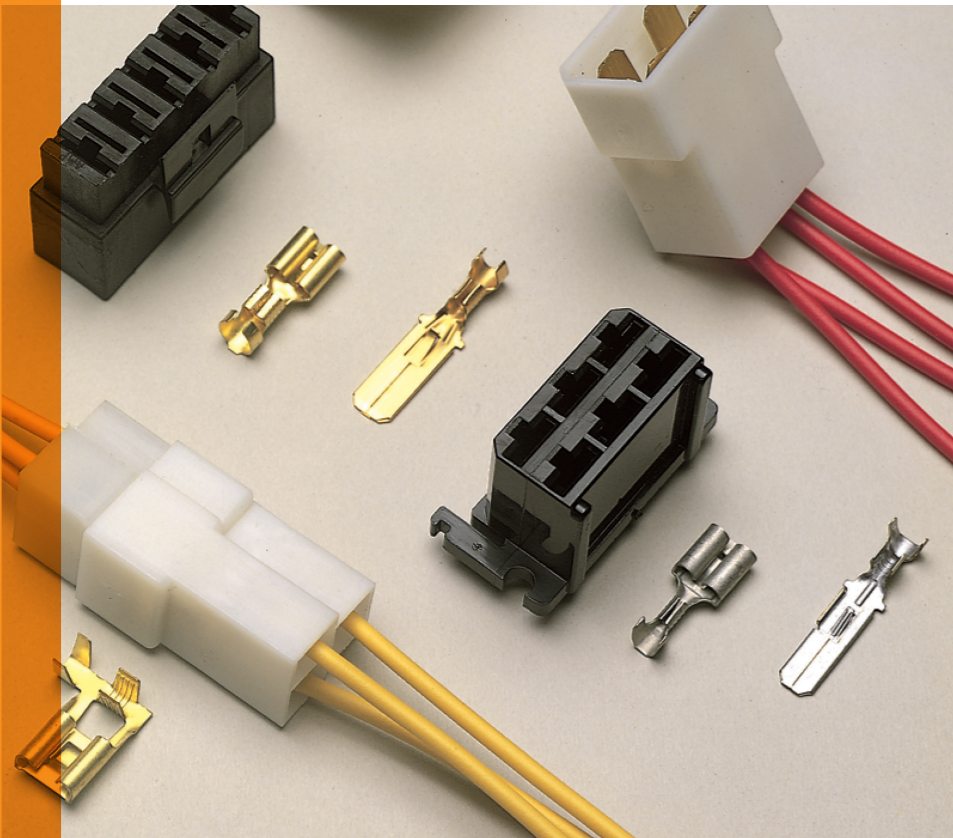
Product Line	Part Number Housing or Terminal	Category	Part Number Extraction Tool
AMPLIMITE - AEROSPACE	205089-2	Terminal	91067-2
	205090-2	Terminal	91067-2
AMPMODU MOD I	280621	Terminal	843473-1
AMPMODU MOD II HRZ CN	181270-4	Terminal	843996-3
ASL & HE 13/14	281709-5	Housing	8-1579007-7
	281784-5	Housing	8-1579007-7
Central Electric Box	1718700	Housing	5-1579008-9
	1801613	Housing	9-1579018-5
	1801614	Terminal	9-1579018-5
	185402	Housing	1579007-1
	185403	Housing	1579007-1
	284902	Terminal	7-1579018-1
			7-1579018-2
	284905	Terminal	7-1579018-1
7-1579018-2			
953615	Housing	1308272-1	
			1308289-1
CIRCULAR PLASTIC CONN	206036-2	Housing	7-1579008-6
	206137	Housing	7-1579008-6
	206207	Housing	7-1579008-6
	206207-1	Housing	7-1579008-6
	206425	Housing	7-1579008-6
COMM MATE-N-LOK CONN	925712	Terminal	539764-1
			725938-1
DIN	1-967402-1	Housing	3-1579007-2
	966466	Housing	2-1579007-0
	967325	Housing	1-1579007-8
	967650	Housing	3-1579007-7



Product Line	Part Number Housing or Terminal	Category	Part Number Extraction Tool
<b>Econoseal - Connector</b>	344073	Housing	724713-1
	344074	Housing	724713-1
	344075	Housing	724713-1
	344079	Housing	724712-1
	344080	Housing	724712-1
	344081	Housing	724712-1
	826881	Housing	725840-1
			826791-3
	826882	Housing	725840-1
			826790-3
	826883	Housing	725840-1
			826791-3
	826884	Housing	725840-1
			826790-3
	826885	Housing	826791-3
826886	Housing	725840-1	
		826790-3	
827438	Housing	725840-1	
		826790-3	
<b>ECU Conn</b>	368290	Housing	8-1579007-5
	368291	Housing	8-1579007-5
	368333	Housing	8-1579007-5
	368448	Housing	8-1579007-5
<b>ELO - Connectors</b>	1393450-5	Housing	3-1579007-9
<b>ELO - Terminals</b>	1411558-2	Terminal	3-1579007-9
	1411558-4	Terminal	3-1579007-9
	1411560	Terminal	6-1579007-1
	1411573	Terminal	3-1579007-9
	1411594-1	Terminal	3-1579007-9
	2-1411550-1	Terminal	3-1579007-9

Product Line	Part Number Housing or Terminal	Category	Part Number Extraction Tool
<b>Eurocard IEC DIN41612</b>	166460	Terminal	1579008-5
			658033-1
	166461	Terminal	1579008-5
			658033-1
	166477	Terminal	1579008-5
			658033-1
	166478	Terminal	1579008-5
			658033-1
	166569	Housing	1579008-5
			658033-1
	166570-1	Housing	658033-1
	166632	Terminal	1579008-5
			658033-1
	166633	Terminal	1579008-5
658033-1			
166635	Terminal	1579008-5	
		658033-1	
216519-1	Housing	169705-1	

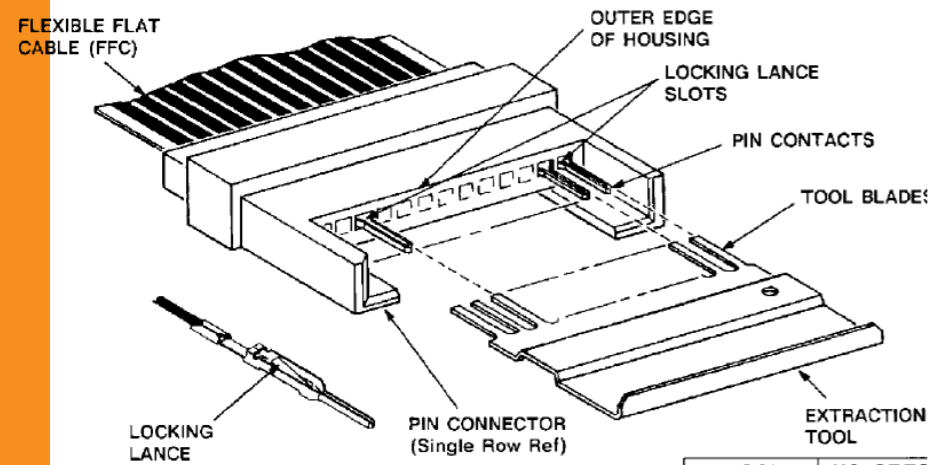
## FASTIN-FASTON



Product Line	Part Number Housing or Terminal	Category	Part Number Extraction Tool
FASTIN-FASTON	170258-1	Terminal	724712-1
	170258-2	Terminal	724712-1
	170340-1	Terminal	724713-1
	170340-3	Terminal	724713-1
	170341-1	Terminal	724713-1
	170341-3	Terminal	724713-1
	170349-1	Terminal	724713-1
	170349-2	Terminal	724713-1
	171897	Housing	724713-1
	171898	Housing	724712-1
	172127	Housing	724713-1
	172128	Housing	724712-1
	172129	Housing	724713-1
	172130	Housing	724712-1
	172132	Housing	724712-1
	172133	Housing	724713-1
	172134	Housing	724712-1
	172135	Housing	724713-1
	172136	Housing	724712-1
	172137	Housing	724713-1
	172138	Housing	724712-1
	927892	Terminal	725864-1
	927893	Terminal	725864-1
	928923	Terminal	725864-1
	928924	Terminal	725864-1
	928930	Terminal	725864-1
	929611	Housing	2-1579007-5
	929612	Housing	2-1579007-5
	929613	Housing	2-1579007-5
	963951	Terminal	725864-1
	964131	Terminal	539762-1



# FFC



TOOL NUMBER	NO. OF TOOL BLADES
91047-1	9
-2	19
-3	29
-4	33
-5	20
1- -0	10
1- -1	22
1- -2	35
1- -3	13
1- -4	12

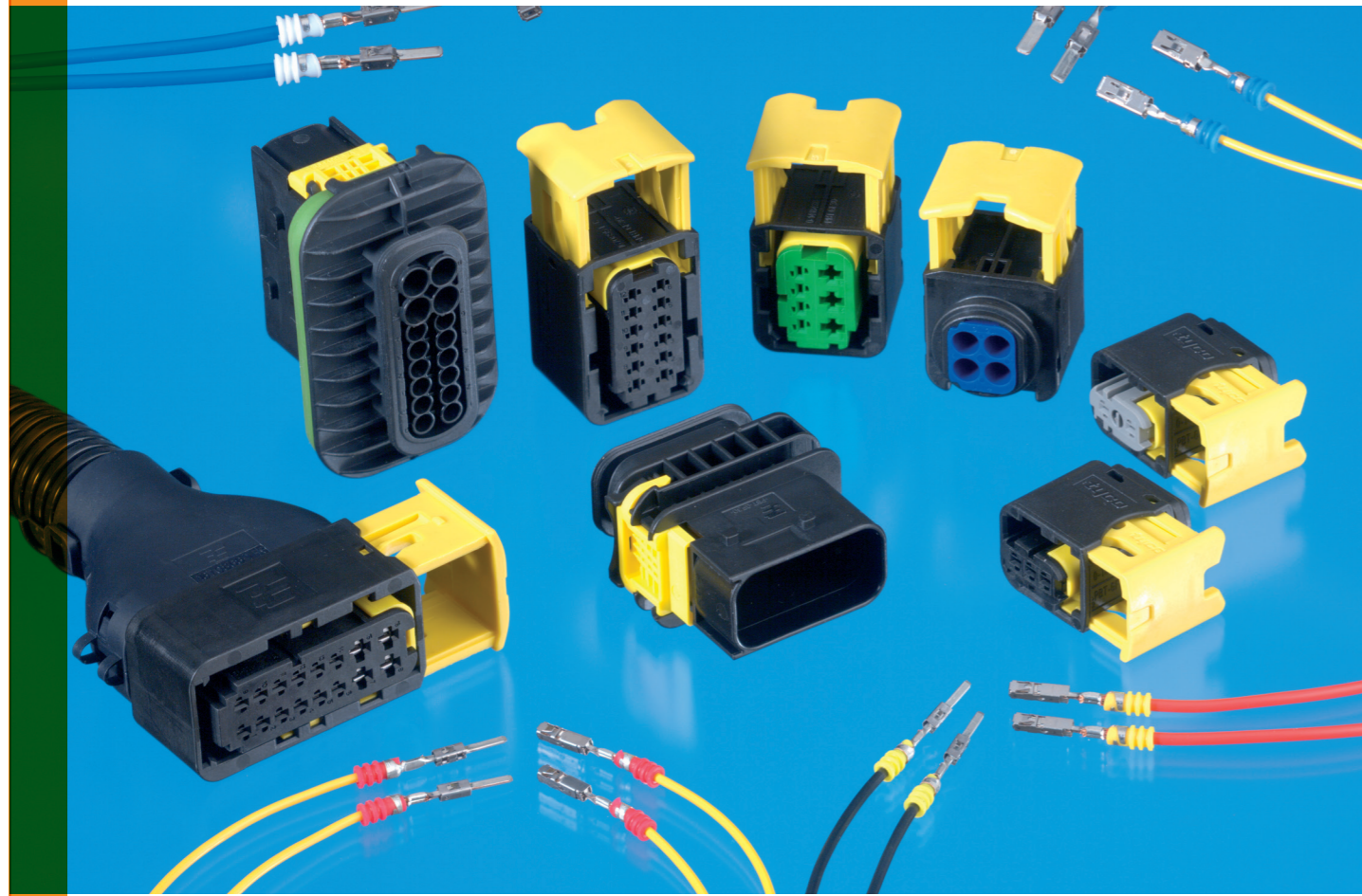
TOOL NUMBER	NO. OF TOOL BLADES
1- 91047-5	14
1- -6	15
1- -7	30
1- -8	5
1- -9	3
2- -0	6
2- -1	17
2- -2	18
2- -3	25
2- -5	7

TOOL NUMBER	NO. OF TOOL BLADES
2- 91047-6	8
2- -8	16
2- -9	21
3- -0	23
3- -1	24
3- -2	26
3- -3	27
3- -4	28
3- -5	31
3- -6	32
3- -7	34



Product Line	Part Number Housing or Terminal	Category	Part Number Extraction Tool	
<b>FASTON TERM PREM&amp;COMM</b>	170032-2	Terminal	724712-1	
	170032-5	Terminal	724712-1	
	170384-1	Terminal	724712-1	
	170384-2	Terminal	724712-1	
	62048	Terminal	465629-1	
			465629-2	
	63824	Terminal	726544-1	
962892	Terminal	4-1579007-2		
<b>FAT</b>	1452671	Terminal	5-1579007-3	
<b>FFC Connectors</b>	86561-6	Terminal	91093-1	
<b>G SERIES PRODUCTS</b>	1-66740-2	Terminal	7-1579008-6	
	1-66741-1	Terminal	7-1579008-6	
	1-66741-2	Terminal	7-1579008-6	
	66253	Terminal	7-1579008-6	
	66255	Terminal	7-1579008-6	
	66256	Terminal	7-1579008-6	
	66259-1	Terminal	91019-3	
	66259-2	Terminal	91019-3	
	66259-4	Terminal	91019-3	
	66260-2	Terminal	91019-3	
	66261-1	Terminal	91019-3	
	66261-2	Terminal	91019-3	
	66261-4	Terminal	91019-3	
	66262-1	Terminal	91019-3	
	66262-2	Terminal	91019-3	
	66740	Terminal	7-1579008-6	
	66740-2	Terminal	91019-3	
	66740-6	Terminal	91019-3	
	66740-8	Terminal	91019-3	
	66740-9	Terminal	7-1579008-6	
	66741	Terminal	7-1579008-6	
	66741-2	Terminal	91019-3	
	66741-6	Terminal	91019-3	
	66741-8	Terminal	91019-3	
	<b>GET - Connectors</b>	1488533	Housing	9-1579007-0

# HDSCS



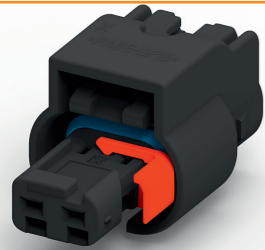
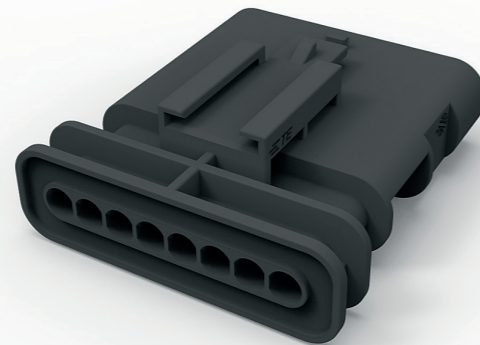
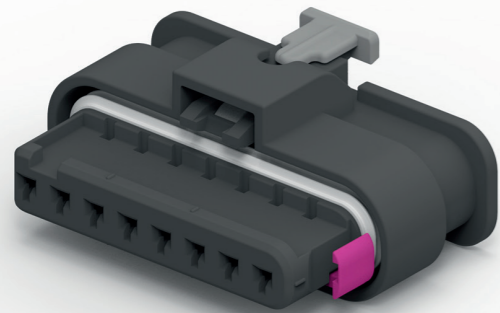
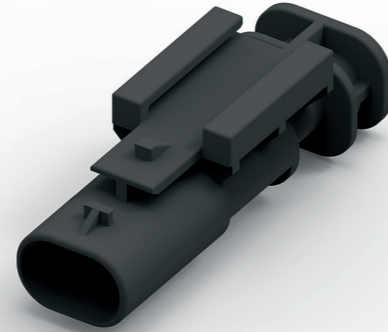
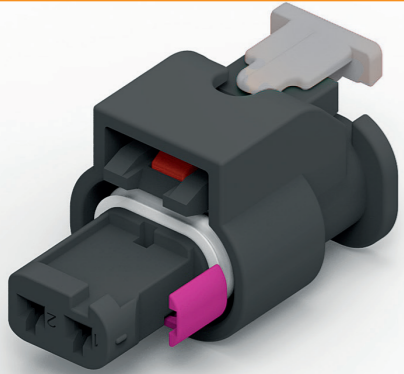
Product Line	Part Number Housing or Terminal	Category	Part Number Extraction Tool
<b>HD20 CRIMP SNAP-IN</b>	166051	Terminal	91285-1
	166051-1	Terminal	1579007-9
	166053	Terminal	91285-1
	166053-1	Terminal	1579007-9
	166054	Terminal	91285-1
	166995	Terminal	91285-1
	66506	Terminal	91285-1
	66507	Terminal	91285-1
<b>HD22 CRIMP-SNAP CONN</b>	1658670	Terminal	91285-1
	748610	Terminal	91285-1
<b>Heavy Duty Hybrid Connector</b>	1103426-1	Housing	9-1579018-7
	1103427-1	Housing	9-1579018-8
	1103428-1	Housing	9-1579018-7
	1103429-1	Housing	9-1579018-8
<b>HEMS Conn &amp; Bat Solutions</b>	1103434-1	Housing	1579028-4
	1563316	Housing	1718076-1 9-1579007-1
	1587819-1	Housing	2-1579007-3
	1670553	Housing	1718076-1 9-1579007-1
	1719821	Housing	1718076-1 9-1579007-1
<b>HP/HPSL - Connectors</b>	1801174	Housing	1-1579008-1 1-1579008-3 1-1579008-4
	1801175	Housing	1-1579008-0 1-1579008-2
	1801176	Housing	1-1579008-0 1-1579008-2
	1801177	Housing	1-1579008-1 1-1579008-3 1-1579008-5
	1801178	Housing	1-1579008-0 1-1579008-2
	1801179	Housing	1-1579008-0 1-1579008-2

## LEAVYSEAL



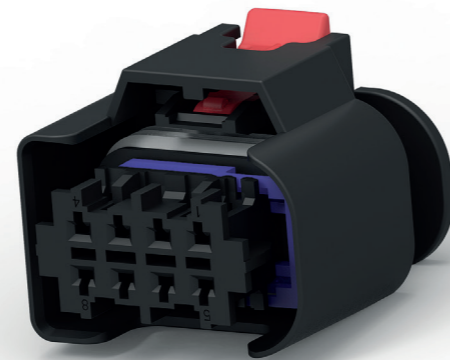
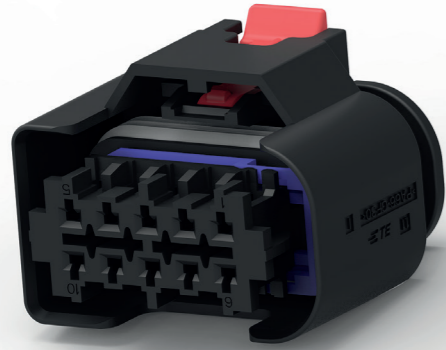
Product Line	Part Number Housing or Terminal	Category	Part Number Extraction Tool
Infotain Cn-Fiber	1-2208204-1	Housing	1-1579028-3
Infotain Cn-HS Ele	2236326	Housing	4-1579028-1
LEAVYSEAL	1418883	Housing	4-1579018-8
			5-1579018-0
8-1579018-1			
	1718324	Housing	8-1579018-1
MAG-MATE	1394431-1	Terminal	1579018-6
	1719065	Terminal	1-1579008-7
			6-1579008-2
	62420	Terminal	274250-2
	62429	Terminal	274250-1
	62431	Terminal	274250-1
	62458-1	Terminal	274278-1
	62459-1	Terminal	274278-1
	62511	Terminal	1-1579018-9
	62524	Terminal	274250-2
	62526	Terminal	274250-1
	62527	Terminal	274250-1
	62608-1	Terminal	274278-3
	62609-1	Terminal	274278-3
	62610-1	Terminal	274278-3
	62833	Terminal	274250-2
	62888	Terminal	274260-2
	62904	Terminal	274260-2
	62912	Terminal	274250-2
	62935	Terminal	274250-2
	63459	Terminal	3-1579018-3
	63464	Terminal	3-1579018-3
	63663	Terminal	1-1579018-9
	63664	Terminal	1-1579018-9
	63665	Terminal	1-1579018-9
	928854	Terminal	3-1579018-2
	964337	Terminal	6-1579008-0
	964338	Terminal	6-1579008-0
	964339	Terminal	6-1579008-0
	964340	Terminal	6-1579008-0
	964341	Terminal	6-1579008-0
	969125	Terminal	6-1579008-1

## MCON Contact System



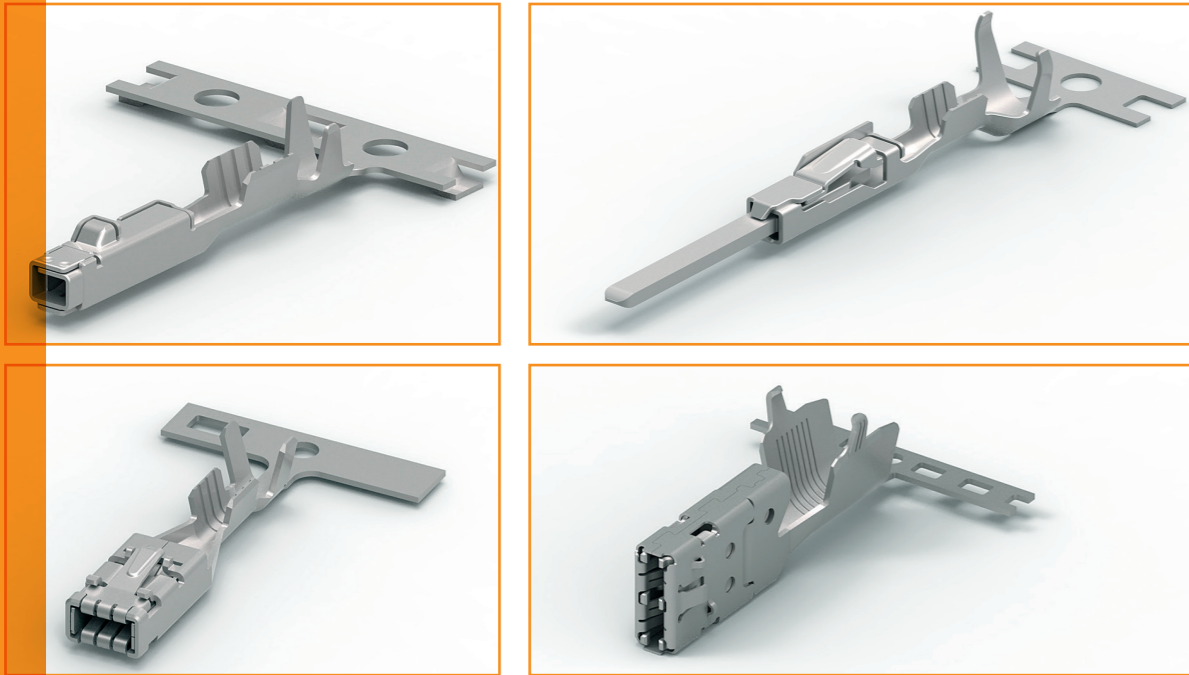
Product Line	Part Number Housing or Terminal	Category	Part Number Extraction Tool
MCON Connectors	1-1534205-1	Housing	1579007-8
	1-1564559-1	Housing	3-1579028-5
			3-1579028-8
	1-1564559-2	Housing	3-1579028-5
			3-1579028-8
	1-1670915-1	Housing	1579028-7
	1-1703494-1	Housing	3-1579028-4
			3-1579028-8
	1-1703494-2	Housing	3-1579028-4
			3-1579028-8
	1-1703498-1	Housing	1-1579028-5
			3-1579028-8
	1-1703498-2	Housing	1-1579028-5
			3-1579028-8
	1-1703498-3	Housing	1-1579028-5
			3-1579028-8
	1-1703506-1	Housing	3-1579028-8
	1-2141324-1	Housing	3-1579028-7
			3-1579028-8
	1-2141520-1	Housing	3-1579028-6
			3-1579028-8
	1-2141520-2	Housing	3-1579028-6
			3-1579028-8
	1452380	Housing	1452426-1
	1452400	Housing	1452426-1
	1452419	Housing	1452426-1
	1563172	Housing	5-1579008-7
	1563173	Housing	9-1579018-0
	1564460	Housing	6-1579018-1
	1703433	Housing	8-1579008-4
1703440	Housing	8-1579008-4	
1703787	Housing	9-1579018-0	
1703788	Housing	5-1579018-9	
1718603	Housing	5-1579018-5	
1719334-1	Housing	5-1579008-2	
1719339-1	Housing	5-1579008-2	
1719345-1	Housing	5-1579008-2	

## MCON Contact System



Product Line	Part Number Housing or Terminal	Category	Part Number Extraction Tool
MCON Connectors (Continuation)	1801600	Housing	8-1579018-4
			8-1579018-5
			8-1579018-6
			9-1579018-6
	1801606	Housing	8-1579018-4
			8-1579018-5
			8-1579018-6
	1801606-1	Housing	9-1579018-6
	2112825-1	Housing	1579028-5
	2141237-1	Housing	1579028-6
	2-1418487-1	Housing	5-1579008-2
	2177443-2	Housing	1579028-5
	2208848	Housing	1-1579028-1
	2208920	Housing	2-1579028-3
	2208939	Housing	2-1579028-3
	2208974	Housing	2-1579028-3
	2236054	Housing	8-1579008-4
	2236116	Housing	2-1579028-3
	2236118	Housing	2-1579028-3
	2236291	Housing	2-1579028-8
			3-1579028-2
	2236306	Housing	2-1579028-8
	2282249	Housing	2-1579028-3
	2282250	Housing	2-1579028-3
	2282251	Housing	2-1579028-3
	2282435	Housing	2-1579028-8
			8-1579008-4
	2286424	Housing	2-1579028-3
	2286429	Housing	2-1579028-3
	2286431	Housing	2-1579028-3
	5-1418360-3	Housing	1579018-7
	963912	Terminal	3-1579007-0
	963914	Terminal	3-1579007-0

# MCON Contact System



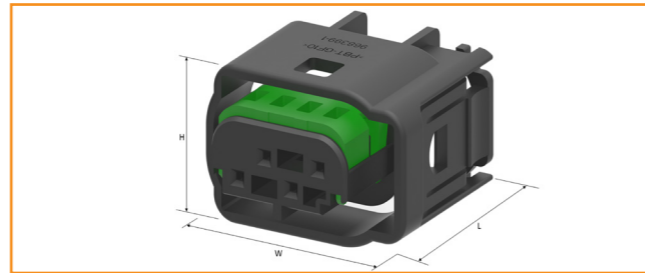
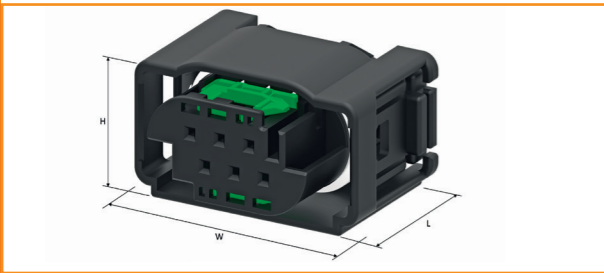
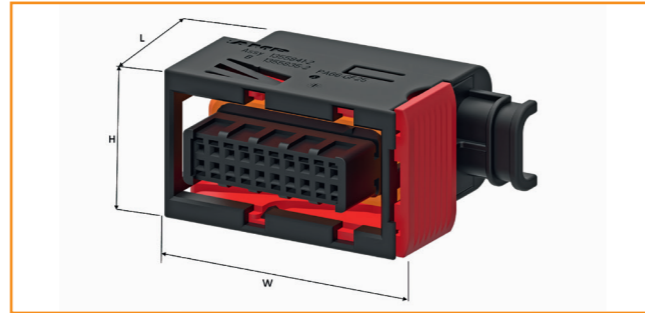
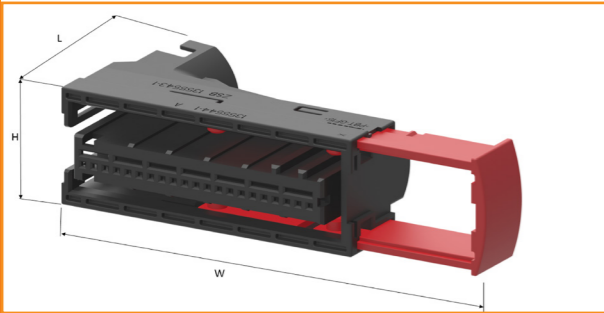
Product Line	Part Number Housing or Terminal	Category	Part Number Extraction Tool
MCON - Terminals	1394897	Terminal	1452426-1
	1418760	Terminal	1579018-7
			6-1579018-1
	1418762	Terminal	1579018-7
			3-1579028-4
			3-1579028-5
			3-1579028-6
			3-1579028-7
	1418851	Terminal	8-1579008-4
	1452503	Terminal	1452426-1
	1452504	Terminal	8-1579008-4
	1452665	Terminal	5-1579007-3
	1452668	Terminal	1-1579007-0
	1534594	Terminal	1452426-1
			3-1579028-2
	1534594-1	Terminal	1579028-5
	1534594-2	Terminal	1579028-5
	1534595	Terminal	8-1579008-4
	1670144	Terminal	1579028-5
			3-1579028-2
	1670145	Terminal	8-1579008-4
	1670147	Terminal	8-1579008-4
	1718758	Terminal	3-1579028-8
	1718760	Terminal	3-1579028-8
	1718762	Terminal	3-1579028-8
	1719838	Terminal	5-1579008-2
	1719840-1	Terminal	5-1579008-2
	1823032	Terminal	1579028-6
	1823034	Terminal	1579028-6
	2112223	Terminal	1579028-6
	2141864	Terminal	3-1579028-4
			3-1579028-5
3-1579028-6			
3-1579028-7			
3-1579028-8			
2141868	Terminal	3-1579028-8	

## NanoMQS / Mini 0.50



Product Line	Part Number Housing or Terminal	Category	Part Number Extraction Tool
<b>MICRO-MATCH</b>	338095	Terminal	5-1579008-3
	338096	Terminal	5-1579008-3
	338097	Housing	5-1579008-3
<b>Mini 0.50 - Connector</b>	1801823	Housing	2-1579028-8
	2112192	Housing	4-1579028-0
	2112193	Housing	4-1579028-0
	2112593	Housing	4-1579028-0
	2112594	Housing	4-1579028-0
	2141466	Housing	3-1579028-9
	2141467	Housing	3-1579028-9
	2236300	Housing	2-1579028-6
<b>Mini 0.50 - Terminals</b>	1-1703930-1	Terminal	1-1579028-0
			1579028-9
	1703930	Terminal	3-1579028-9
			4-1579028-0
	1827855-1	Terminal	3-1579018-5
	1827855-2	Terminal	3-1579018-5
	1827855-3	Terminal	3-1579018-5
	1827855-4	Terminal	3-1579018-5
	1903703-1	Terminal	3-1579018-5
	1939349	Terminal	2047050-1
	1939350	Terminal	2047050-1
	1939351	Terminal	2047050-1
	1981878	Terminal	2047050-1
	2236905	Terminal	5-1579028-5
	<b>MINI-UNIVERSAL MATE-N-LOK</b>	170359	Terminal
170360		Terminal	189727-1
170361		Terminal	189727-1
170362		Terminal	189727-1
171636		Terminal	189727-1
171637		Terminal	189727-1
<b>MISC MIL-TYPE PRODUCT</b>	166046	Terminal	6-1579008-3
	166047	Terminal	6-1579008-3
	203816	Terminal	6-1579008-3
<b>MISC TERMS &amp; SPLICES</b>	962907	Terminal	2-1579007-5
<b>Misc Wire to Board</b>	61064	Terminal	576721-0

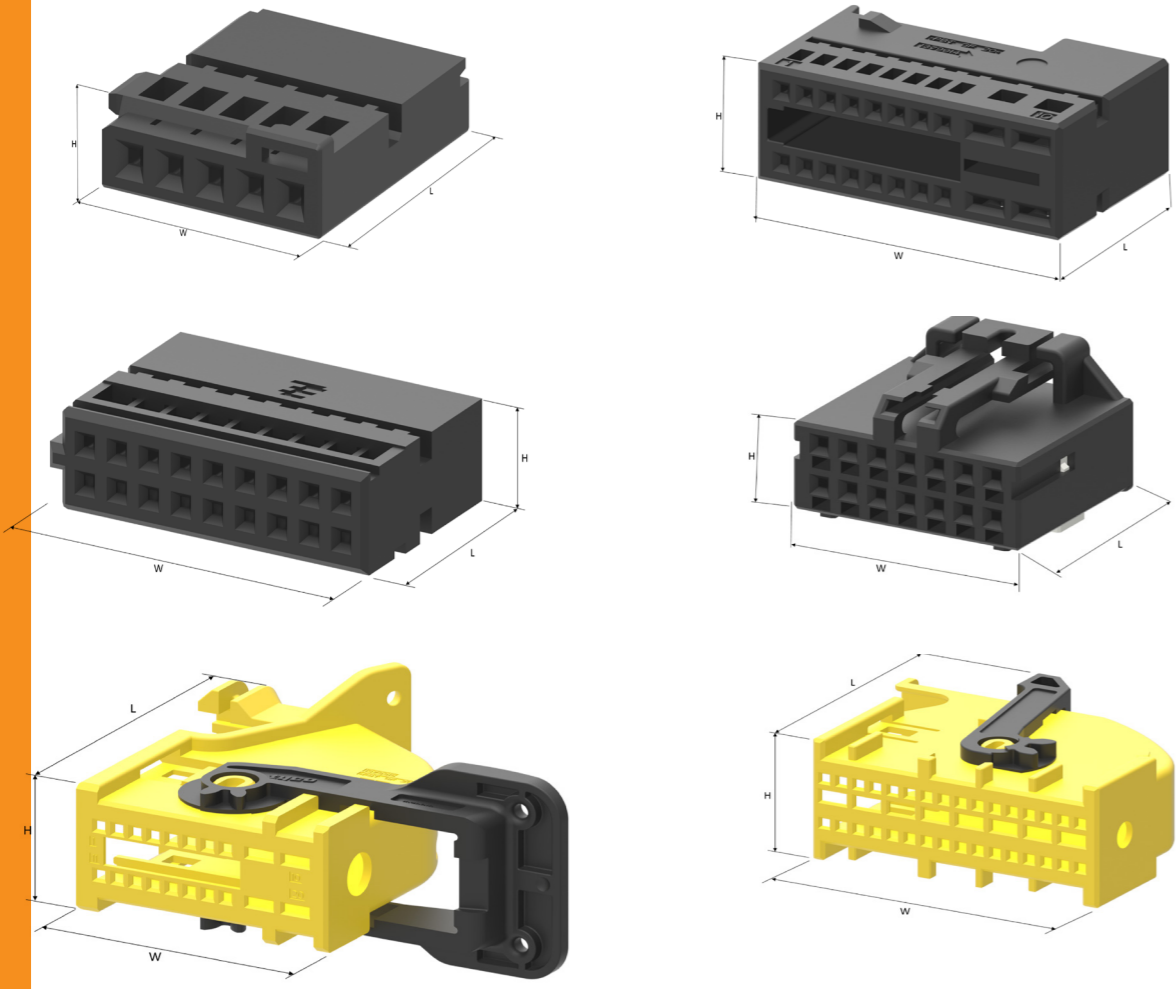
# MQS Contact System



Product Line	Part Number Housing or Terminal	Category	Part Number Extraction Tool
MQS - Connectors	1-1418743-1	Housing	7-1579008-2 7-1579008-3
	1355124	Housing	9-1579008-5
	1355125	Housing	1-1579018-4
	1355126	Housing	6-1579008-4
	1355136	Housing	1-1579018-4
	1379913	Housing	5-1579018-2 5-1579018-4
	1379914	Housing	5-1579018-1 5-1579018-3
	1394902	Housing	6-1579007-9
	1452076-1	Housing	1355968-1
	1452415	Housing	1452426-1
	1534903	Housing	9-1579008-5
	1534904	Housing	1-1579018-4
	1-967584-3	Terminal	7-1579008-0 7-1579008-5
	2208817	Housing	1-1579028-0 1579028-9
	2208825	Housing	1-1579028-0 1579028-9
	2208852	Housing	1-1579028-0 1579028-9
	284126-1	Terminal	658167-4
	284126-2	Terminal	658167-4
	284223	Housing	2-1579018-1 4-1579008-2
	284224-1	Housing	3-1579018-1
	284224-2	Housing	3-1579018-1
	284422-1	Housing	3-1579018-1
	284423	Housing	2-1579018-1

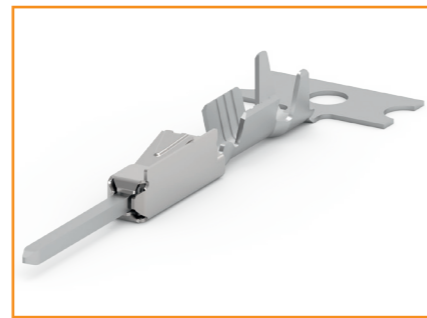
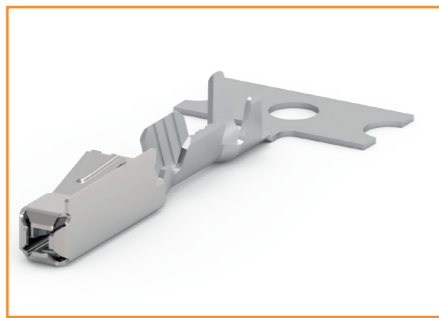
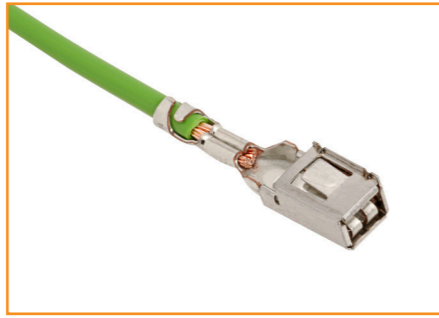
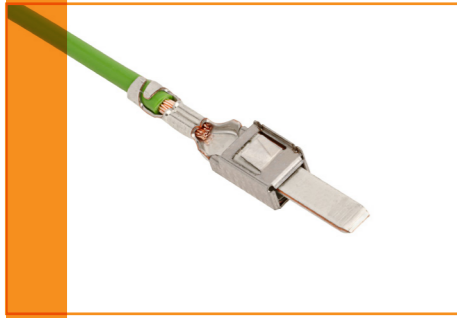


# MQS Contact System



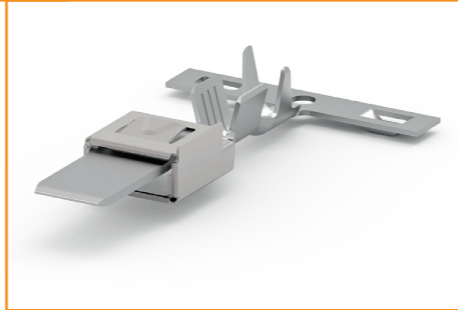
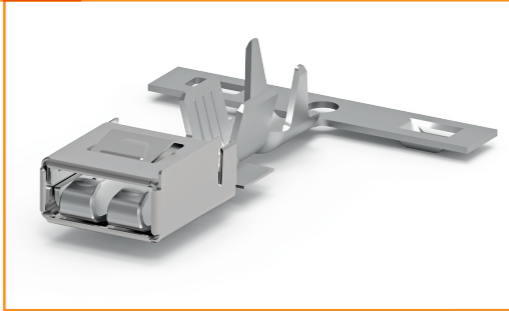
Product Line	Part Number Housing or Terminal	Category	Part Number Extraction Tool
MQS - Connectors	368297	Housing	8-1579007-5
	929342	Housing	7-1579007-9
			7-1579008-2
			7-1579008-3
	929346	Housing	7-1579007-9
		Terminal	8-1579007-0
			8-1579007-1
	953697	Housing	1308374-1
	963658	Housing	8-1579007-2
			8-1579007-3
	963663	Housing	7-1579008-0
			7-1579008-5
	965531-1	Housing	1579028-8
	967079	Housing	8-1579007-2
			8-1579007-3
	967082	Housing	7-1579008-1
			7-1579008-4
	967167	Housing	7-1579008-1
			7-1579008-4
	967361	Housing	6-1579008-9
8-1579007-4			
967562	Housing	7-1579008-7	
		7-1579008-8	
967570	Housing	8-1579007-2	
967587	Housing	6-1579008-9	
968092	Housing	4-1579007-8	

# MQS Contact System



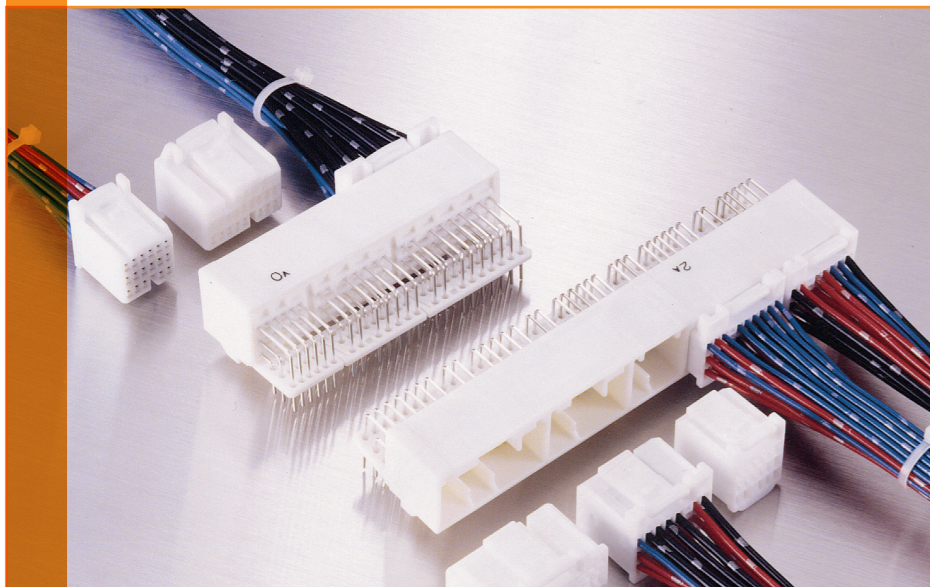
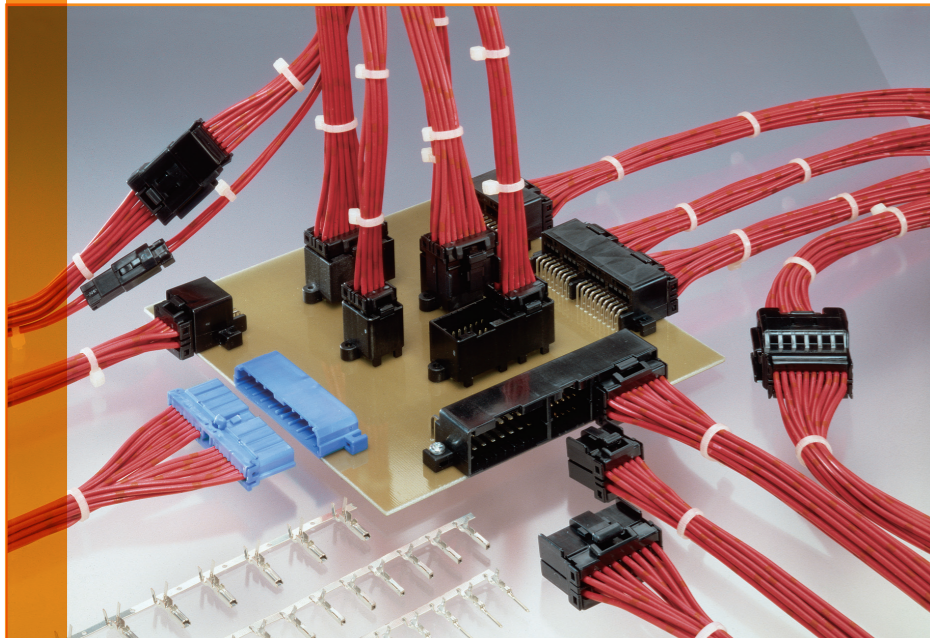
Product Line	Part Number Housing or Terminal	Category	Part Number Extraction Tool
MQS - Terminals	1241608	Terminal	6-1579007-0
	1379418	Terminal	3-1579018-1
	1379418-1	Terminal	5-1579018-1
	1379418-2	Terminal	5-1579018-1
	1379419	Terminal	3-1579018-1
	1379419-1	Terminal	5-1579018-1
	1379419-2	Terminal	5-1579018-1
	1418887-1	Terminal	5-1579007-4
	144969	Terminal	1308374-1
	1534116	Terminal	1-1579018-4
			9-1579008-5
	1534116-1	Terminal	6-1579008-4
	1703282	Terminal	1-1579018-4
			6-1579007-0
	1703296	Terminal	785734
	1-928918-1	Terminal	5-1579018-2
	2287720	Terminal	5-1579028-3
	5-963716-1	Terminal	1579028-8
	6-928918-1	Terminal	1579028-8
	928918	Terminal	1308374-1
			4-1579018-5
			6-1579007-1
	928999	Terminal	4-1579007-8
			6-1579007-1
	929387	Terminal	5-1579007-4
	962885	Terminal	6-1579007-1
	962886	Terminal	6-1579008-9
			7-1579007-9
			7-1579008-0
			7-1579008-1
			7-1579008-2
			7-1579008-3
			7-1579008-4
		7-1579008-5	
		7-1579008-7	
		7-1579008-8	
		8-1579007-2	
		8-1579007-3	

# MQS Contact System



Product Line	Part Number Housing or Terminal	Category	Part Number Extraction Tool
MQS - Terminals	963715	Terminal	1308374-1
			4-1579007-8
			6-1579007-1
	963716-1	Terminal	5-1579018-2
	963716-2	Terminal	5-1579018-2
	963727	Terminal	6-1579007-1
	965906	Terminal	4-1579007-8
	965908	Terminal	6-1579007-1
			6-1579008-9
			7-1579007-9
			7-1579008-0
			7-1579008-1
			7-1579008-2
			7-1579008-3
			7-1579008-4
			7-1579008-5
			7-1579008-7
			7-1579008-8
			8-1579007-2
	8-1579007-3		
	968074-2	Terminal	5-1579018-3
	968136-2	Terminal	5-1579018-4
	968137-2	Terminal	5-1579018-4
968220	Terminal	6-1579007-0	
		9-1579008-5	
968221	Terminal	6-1579007-0	
968678-2	Terminal	5-1579018-3	
968679-2	Terminal	5-1579018-4	
968987	Terminal	5-1579007-4	

# MULTILOCK



Product Line	Part Number Housing or Terminal	Category	Part Number Extraction Tool
<b>MTA &amp; SL 156</b>	770476	Terminal	90471-1
	770849	Housing	90471-1
<b>MULTILOCK - Connector</b>	173851	Housing	755430-2
	174147	Housing	755430-2
	174463	Housing	755430-2
	282365	Terminal	784980-1
	282699	Housing	785731-1
	284820	Housing	3-1579018-6
	368190	Housing	8-1579007-5
	917318	Housing	1579018-4
	917319	Housing	1579018-4
	<b>MULTILOCK - Headers</b>	174460	Housing
174935		Housing	755430-2
<b>MULTILOCK - Terminals</b>	172774	Terminal	753787-1
	173630	Terminal	755430-2
	173631	Terminal	755430-2
	173632	Terminal	755430-2
	173633	Terminal	755430-2
	173634	Terminal	755430-2
	173645	Terminal	755430-2
	173708	Terminal	755430-2
	1743654	Terminal	755430-2
	175186	Terminal	755430-2
	175187	Terminal	755430-2
	175189	Terminal	755430-2
	1897598	Terminal	755430-2
	282374	Terminal	784980-1 9-1579007-1
	282375	Terminal	784980-1 9-1579007-1
	282376	Terminal	784980-1 9-1579007-1
	282377	Terminal	784980-1 9-1579007-1
	282378	Terminal	784980-1 9-1579007-1
	282379	Terminal	784980-1 9-1579007-1

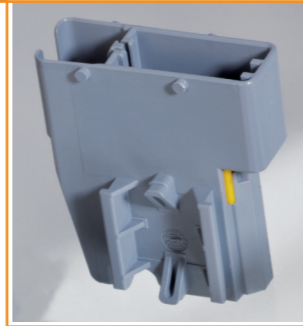
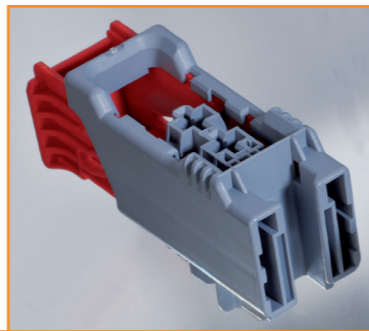
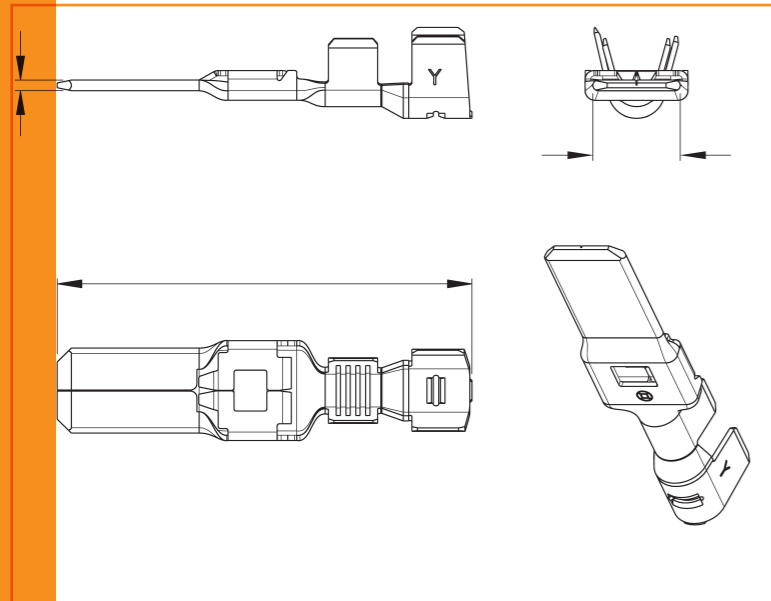
Product Line	Part Number Housing or Terminal	Category	Part Number Extraction Tool
<b>MULTILOCK - Terminals (Continuation)</b>	284087-1	Terminal	3-1579018-6
	316836	Terminal	715131-1
	368084	Terminal	755430-2
	368085	Terminal	755430-2
	368087	Terminal	755430-2
	917308	Terminal	1579018-4
	917309	Terminal	1579018-4

# NG Connectors



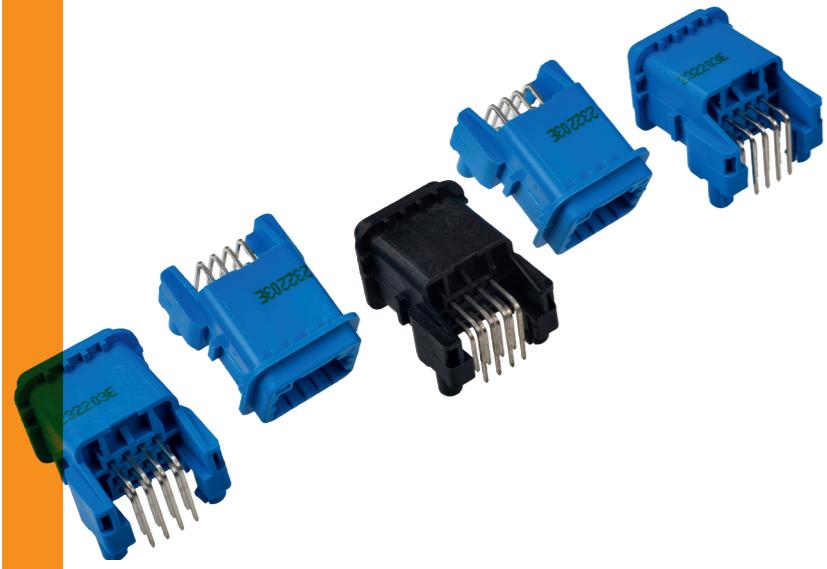
Product Line	Part Number Housing or Terminal	Category	Part Number Extraction Tool
<b>MULTIMATE CONTACTS</b>	163085	Terminal	539972-1
	163089	Terminal	539972-1
	338184	Terminal	539972-1
<b>NG - Connectors</b>	1544317	Housing	5-1579008-9
			7-1579008-9
			8-1579008-0
	1544351-1	Housing	8-1579018-7
	1544551-1	Housing	6-1579018-0
	1544551-2	Housing	6-1579018-0
	1544567	Housing	7-1579008-9
			8-1579008-0
	1544606-1	Housing	7-1579018-4
	1544606-2	Housing	7-1579018-4
	1544606-3	Housing	7-1579018-4
	1544650	Housing	5-1579008-9
			7-1579008-9
			8-1579008-0
	1544662	Housing	5-1579008-9
	1544678	Housing	7-1579008-9
			8-1579008-0
	1544978	Housing	2-1579018-6
			5-1579008-9
		Terminal	7-1579008-9
	1544980	Housing	2-1579018-4
			2-1579018-5
Terminal			
1801398	Housing	7-1579008-9	
		2-1579018-2	
		2-1579018-3	
		5-1579008-9	
1801398-1	Housing	3-1579018-9	
1801422	Housing	1-1579018-6	
		5-1579008-9	

# NG Contact System



Product Line	Part Number Housing or Terminal	Category	Part Number Extraction Tool
NG - Terminals	1544106	Terminal	5-1579008-9
	1544107	Terminal	5-1579008-9
	1544133-1	Terminal	6-1579018-0
	1544227	Terminal	4-1579008-6
			5-1579008-9
			8-1579008-0
	1544228	Terminal	4-1579008-6
			5-1579008-9
			8-1579008-0
	1544332-1	Terminal	7-1579018-4
	1544333-1	Terminal	7-1579018-4
	1544964	Terminal	5-1579008-9
	1544965	Terminal	5-1579008-9
	1544966	Terminal	5-1579008-9
	1544968	Terminal	5-1579008-9
	1801431	Terminal	5-1579008-9
1801432	Terminal	5-1579008-9	
Other / Connectors	1379822	Terminal	1379849-1
	1418805	Housing	9-1579007-0
	172495	Housing	753787-1
	172496	Housing	753787-1
	172500	Housing	753787-1
	172504	Housing	753787-1
	172505	Housing	753787-1
	172509	Housing	753787-1
	172510	Housing	753787-1
	185763	Housing	951768-1
			951769-1
	2286791	Housing	2-1579028-9
			3-1579028-0

# MIC-MKII



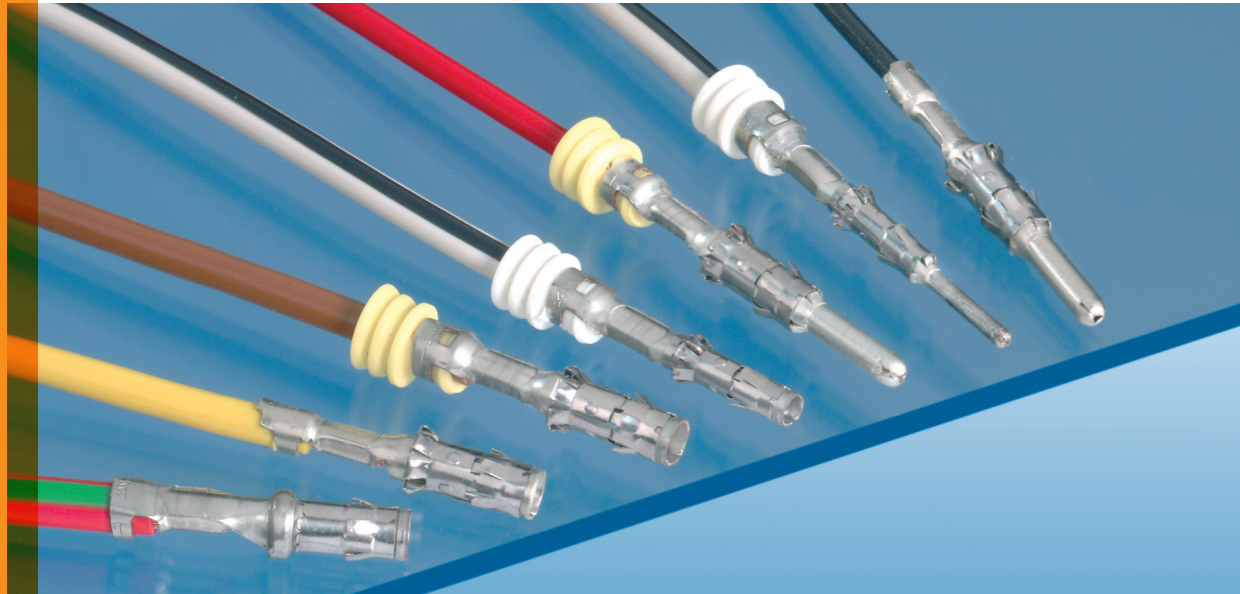
Product Line	Part Number Housing or Terminal	Category	Part Number Extraction Tool	
Others - Headers	172517	Housing	753787-1	
Others - Misc	142700	Terminal	946948-1	
	142753	Terminal	946948-1	
	144181	Terminal	946948-1	
	170221	Terminal	724763-1	
	172041	Housing	724763-1	
	172494	Housing	753787-1	
	172497	Housing	753787-1	
	172498	Housing	753787-1	
	172501	Housing	753787-1	
	172506	Housing	753787-1	
	172507	Housing	753787-1	
	172508	Housing	753787-1	
	172513	Housing	753787-1	
	172514	Housing	753787-1	
	172515	Housing	753787-1	
	172516	Housing	753787-1	
	172778	Terminal	753787-1	
	172780	Terminal	753787-1	
	Others - Terminals	142754	Terminal	946948-1
		144180	Terminal	946948-1
153301		Terminal	6-1579008-6	
1544114-2		Terminal	8-1579018-7	
1544114-3		Terminal	8-1579018-7	
1544114-4		Terminal	8-1579018-7	
1719066		Terminal	6-1579008-2	
172773		Terminal	753787-1	
172775		Terminal	753787-1	
172777		Terminal	753787-1	
172779		Terminal	753787-1	
927888		Terminal	539972-1	
927890		Terminal	539972-1	
967233		Terminal	3-1579007-0	
969032		Terminal	6-1579008-6	

# Round Connector System



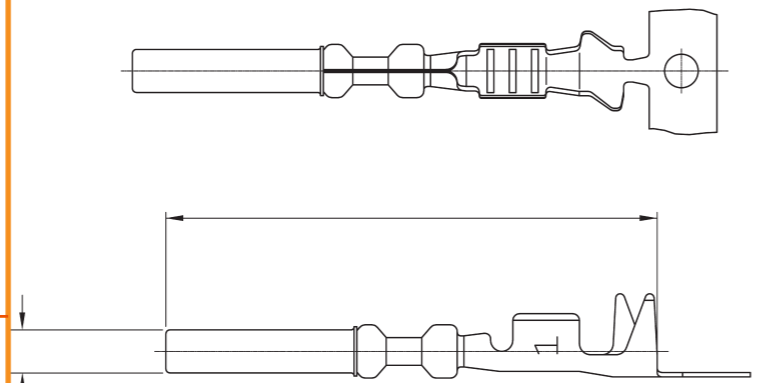
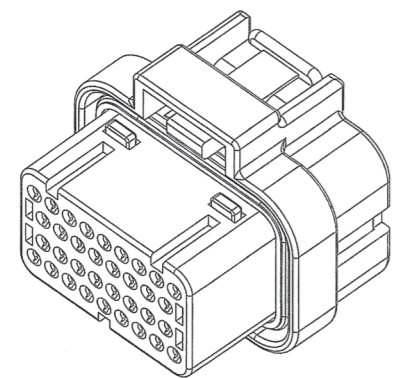
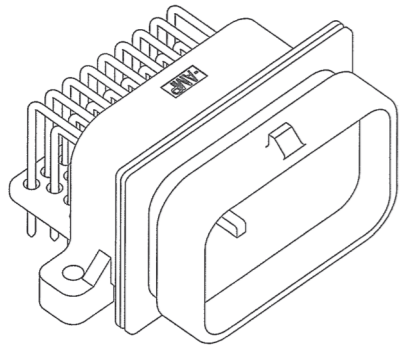
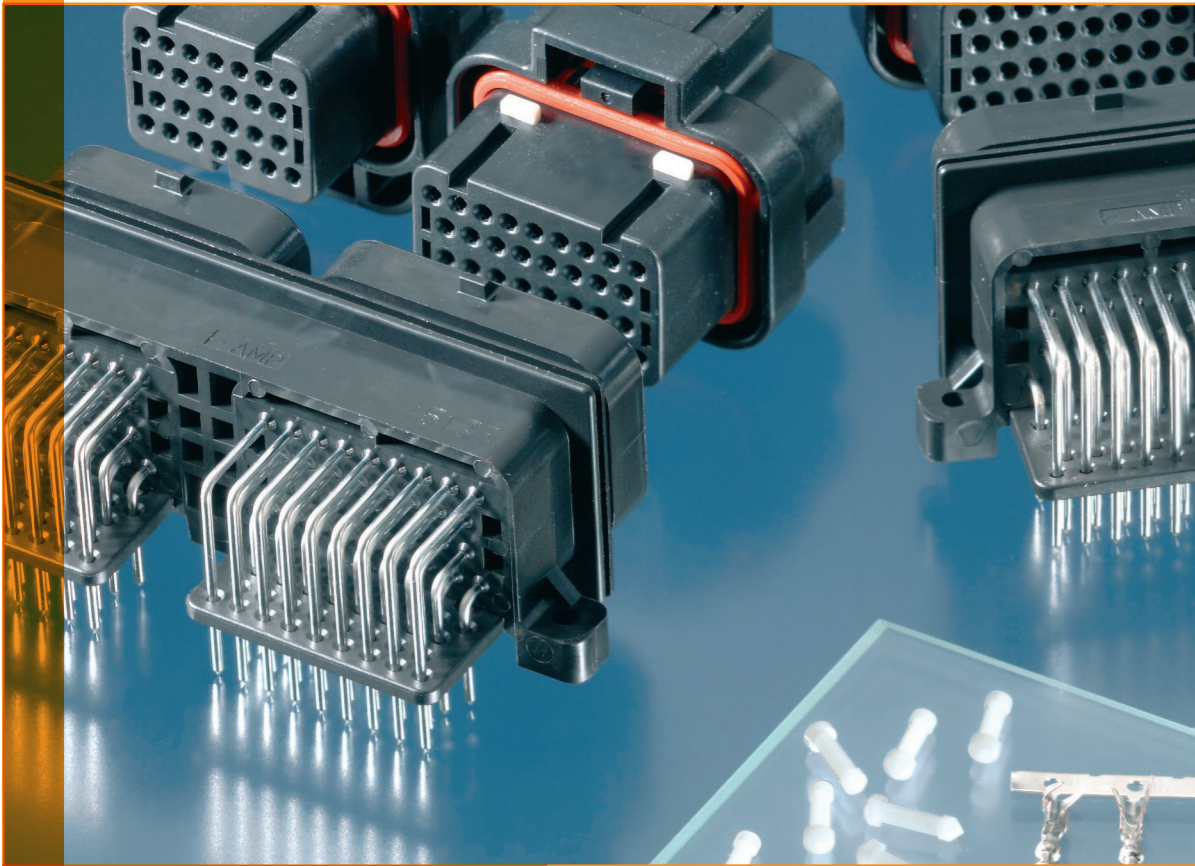
Product Line	Part Number Housing or Terminal	Category	Part Number Extraction Tool
<b>POSITIVE LOCK</b>	170324	Terminal	724659-5
	173974	Housing	724659-5
	174777	Terminal	724659-4
	174778	Terminal	724659-4
	174779	Housing	724659-4
	175179	Terminal	724659-5
	176448	Housing	724659-5
	179182	Housing	724659-5
	179183	Housing	724659-5
<b>RAST 2.5 CONNECTORS</b>	1955441-1	Terminal	7-1579018-7
	293230	Housing	7-1579018-7
<b>RAST 5 Non-IDC</b>	926984	Terminal	539762-1
	927824	Terminal	1-1579007-6
			4-1579007-9
			539961-1
			539962-1
			726482-1
			726503-1
			726548-1
			951007-1
			968107-1
<b>Round Connector System Contacts</b>	100201	Housing	518096-1
	100284	Housing	518096-1
	100285	Housing	518096-1





Product Line	Part Number Housing or Terminal	Category	Part Number Extraction Tool
<b>Round Conn. System Terminals</b>	1703012	Terminal	3-1579007-7
	1703013	Terminal	3-1579007-7
	1703014	Terminal	3-1579007-7
	927800	Terminal	1-1579007-8
	929962	Terminal	1-1579007-8
	929963	Terminal	1-1579007-8
	929964	Terminal	1-1579007-8
	929965	Terminal	1-1579007-8
	929966	Terminal	1-1579007-8
	929967	Terminal	1-1579007-8
	929968	Terminal	1-1579007-8
			3-1579007-2
	929969	Terminal	1-1579007-8
	929970	Terminal	1-1579007-8
	929971	Terminal	1-1579007-8
	929972	Terminal	1-1579007-8
	929973	Terminal	1-1579007-8
	929974	Terminal	1-1579007-8
	929975	Terminal	1-1579007-8
	929989	Terminal	3-1579007-2
			965702-1
	962952	Terminal	2-1579007-0
	962972	Terminal	3-1579007-2
	962998	Terminal	539972-1
	962999	Terminal	539972-1
	963881	Terminal	539967-1
	965839	Terminal	539967-1
	965841	Terminal	539967-1
965842	Terminal	539967-1	
<b>Seal Sensor Conn- Terminal</b>	1563627	Terminal	3-1579018-4
<b>Single Wire Seals</b>	1394682	Housing	1579007-1
	2112314-1	Housing	1-1579007-2
			1579007-1
9-1394129-1	Housing	1-1579007-0	
<b>Solar Installation Ma</b>	1987280-1	Terminal	9-1579018-9
	1987280-4	Terminal	9-1579018-9
	1987281-1	Terminal	9-1579018-9
	1987281-3	Terminal	9-1579018-9

# Superseal



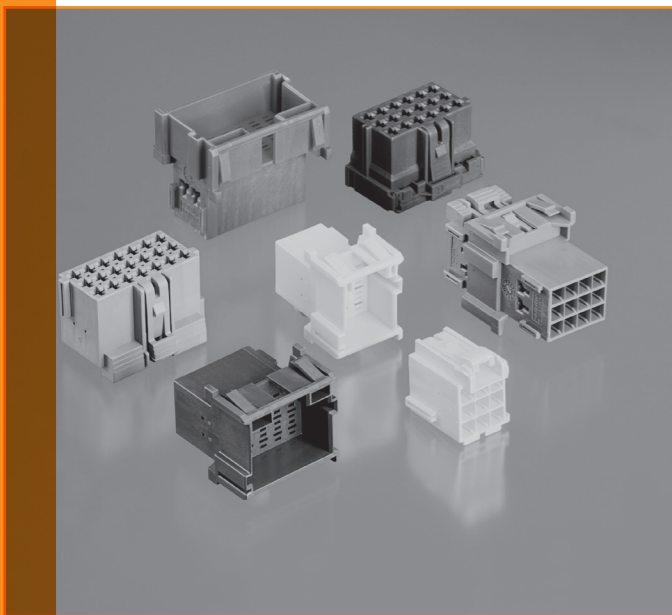
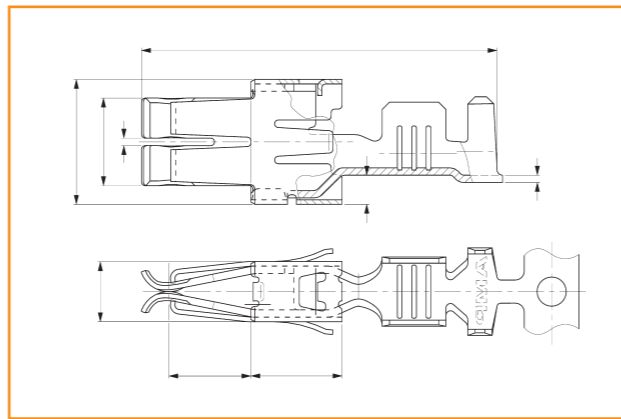
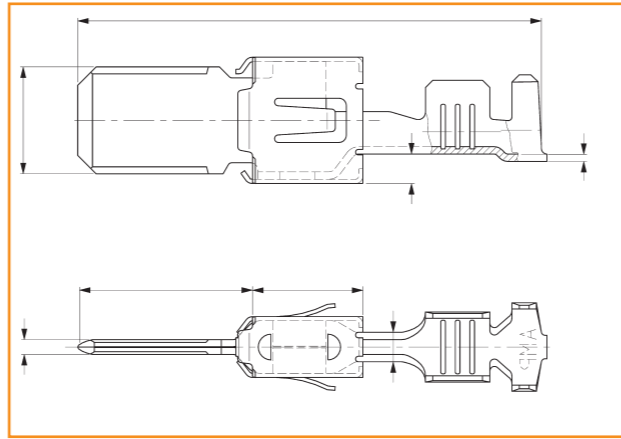
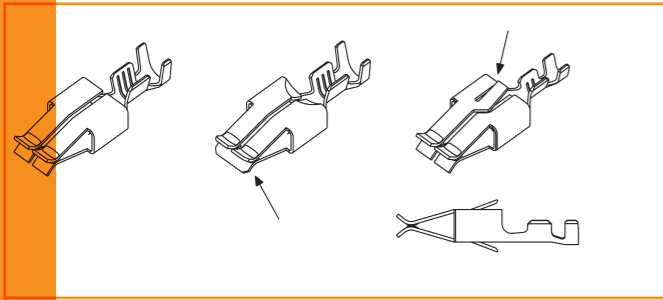
Product Line	Part Number Housing or Terminal	Category	Part Number Extraction Tool
Superseal - Connector	282103	Housing	785061-1 785084-1
	282104	Housing	785061-1 785084-1
	282105	Housing	785061-2 785084-1
	282106	Housing	785061-2 785084-1
	282107	Housing	785061-2 785084-1
	282108	Housing	785061-2 785084-1
Superseal - Terminals	183024	Terminal	9-1579007-1
	183025	Terminal	9-1579007-1
	183035	Terminal	9-1579007-1
	183035-1	Terminal	785084-1
	183036	Terminal	9-1579007-1
	282109	Terminal	9-1579007-1
	282110-1	Terminal	9-1579007-1
	282403-1	Terminal	785084-1 9-1579007-1
	282404	Terminal	9-1579007-1
	282465	Terminal	9-1579007-1
<b>TANDEM SPRING</b>	166500	Terminal	843473-1

# Timer Contact System



Product Line	Part Number Housing or Terminal	Category	Part Number Extraction Tool
Timer - Connectors	1241061	Housing	1-1355149-1
	1355309	Housing	2-1579018-7
	1563208	Housing	7-1579018-8 7-1579018-9 8-1579018-0
	1563524	Housing	5-1579018-7 5-1579018-8
	827603	Housing	1-1579007-4
	828787	Housing	2-1579007-3
	953482	Housing	1308280-1
	953716	Housing	1308280-1
	953716-1	Housing	9-1579008-7
	953717	Housing	1308280-1
	966693	Housing	1-1355149-1
	966701	Housing	1-1355149-1
	966845	Housing	1-1355149-1
	966846	Housing	1-1355149-1
	966847	Housing	1-1355149-1
	967636	Housing	5-1579018-7 5-1579018-8
	968408	Housing	3-1579028-3
	968745-2	Housing	1579018-5
	968915	Housing	2-1579018-7
	969613	Housing	1-1355149-1
	969850	Housing	1-1355149-1
	969851	Housing	1-1355149-1
		Terminal	1579007-1 929039-1
	969920	Housing	1-1355149-1

# Timer Contact System



Product Line	Part Number Housing or Terminal	Category	Part Number Extraction Tool
Timer - Terminals	1241730	Terminal	2-1579018-7
	1241732	Terminal	2-1579018-7
	1241844	Terminal	539960-1
	1241858	Terminal	2-1579018-7
	1241860	Terminal	2-1579018-7
	1241978	Terminal	2-1579018-9 9-1579008-2
	1241978-2	Terminal	9-1579018-4
	144433	Terminal	1308272-1
	185026	Terminal	1308280-1 9-1579008-7
	185027	Terminal	9-1579008-7
	185283	Terminal	1308272-1
	2141892	Terminal	539960-1
	2141894	Terminal	539960-1
	927768	Terminal	539961-1 539962-1 726482-1 726503-1 726548-1 951007-1 968107-1
	927768-3	Terminal	8-1579007-5
	927771	Terminal	1-1579007-6 2-1579007-3
	927771-3	Terminal	8-1579007-5
	927778	Terminal	539961-1 539962-1 726482-1 726503-1 726548-1 951007-1 968107-1
	927845	Terminal	539762-1
	927973	Terminal	7-1579018-3
	929937	Terminal	1308280-1

Product Line	Part Number Housing or Terminal	Category	Part Number Extraction Tool
Timer Terminals (Continuation)	929937	Terminal	1308280-1
			726503-1
			9-1579008-7
	929939	Terminal	1308280-1
			9-1579008-7
	929950	Terminal	5-1579007-5
			726510-1
	962875	Terminal	539960-1
	962882	Terminal	726544-1
	962883	Housing	539972-1
	962903	Terminal	2-1579007-5
	962904	Terminal	2-1579007-5
	962906	Terminal	2-1579007-5
	962910	Terminal	2-1579007-5
	962916	Terminal	1579018-5
	962930	Terminal	1308289-1
	962943	Terminal	5-1579007-5
	962945	Terminal	539960-1
	963714	Terminal	1-1579007-6
	963860	Terminal	5-1579018-7
			5-1579018-8
	963898	Terminal	539960-1
	963900	Terminal	5-1579007-5
	964261	Terminal	2-1579018-7
	964263	Terminal	2-1579018-7
	964265	Terminal	539960-1
	964269	Terminal	1579008-9
			5-1579018-6
			965720-1
	964269-2	Terminal	1-1355149-1
5-1579018-6			
964274-2	Terminal	1-1355149-1	
964280	Terminal	2-1579018-9	
		9-1579008-2	
964280-2	Terminal	1-1579007-4	
		9-1579018-4	

Product Line	Part Number Housing or Terminal	Category	Part Number Extraction Tool
Timer Terminals (Continuation)	964284	Terminal	2-1579018-9
			9-1579008-2
	964284-2	Terminal	1-1579007-4
			9-1579018-4
	964300	Terminal	1579008-9
			5-1579018-6
			965720-1
	964302	Terminal	1579008-9
			5-1579018-6
			965720-1
	964306	Terminal	539961-1
			539962-1
			726482-1
			726548-1
			951007-1
			968107-1
	964312	Terminal	1-1579007-6
	964326-1	Terminal	1-1579007-6
			4-1579007-3
	965914	Terminal	2-1579018-7
	965999	Terminal	91038-3
			2-1579018-9
	965999-2	Terminal	9-1579008-2
			1-1579007-4
	967231	Terminal	9-1579018-4
			3-1579007-0
	968052	Terminal	2-1579018-7
			785731-1
	969005-2	Terminal	1-1355149-1
	969022	Terminal	2-1579018-7
785731-2			
969028	Terminal	1579008-9	
		5-1579018-6	
		965720-1	
969028-2	Terminal	1-1355149-1	
Timer Contacts	1355469	Housing	2-1579007-1
			2-1579007-2
1394522	Housing	2-1579007-1	
		2-1579007-2	

Product Line	Part Number Housing or Terminal	Category	Part Number Extraction Tool
<b>UNIVERSAL MATE-N LOK</b>	1-480700-1	Housing	1804030-1
	350218	Terminal	1804030-1
	350536	Terminal	1804030-1
	350538	Terminal	1804030-1
	350547	Terminal	1804030-1
	350550	Terminal	1804030-1
	350551	Terminal	1804030-1
	350552	Terminal	1804030-1
	350570	Terminal	1804030-1
	350654	Terminal	1804030-1
	350669	Terminal	1804030-1
	350687	Terminal	1804030-1
	350689	Terminal	1804030-1
	350690	Terminal	1804030-1
	350699	Terminal	1804030-1
	350700	Terminal	1804030-1
	350705	Terminal	1804030-1
	350706	Terminal	1804030-1
	350707	Terminal	1804030-1
	350851	Terminal	1804030-1
	350873	Terminal	1804030-1
	350918	Terminal	1804030-1
	350922	Terminal	1804030-1
	350923	Terminal	1804030-1
	350924	Terminal	1804030-1
	350925	Terminal	1804030-1
	640309	Terminal	1804030-1
	640310	Terminal	1804030-1
	640347	Terminal	1804030-1
	770210	Terminal	1804030-1
	770234	Terminal	1804030-1
	770672	Terminal	1804030-1
	770673	Terminal	1804030-1
	926882	Housing	539972-1
	926883	Terminal	539972-1
	926884	Terminal	539972-1
			9-1579007-5
			9-1579007-6
	926886	Terminal	539972-1

Product Line	Part Number Housing or Terminal	Category	Part Number Extraction Tool
<b>VAL-U-LOK</b>	106527	Housing	1-1579008-6
	106528	Terminal	1-1579008-6
	106529	Terminal	1-1579008-6
	1-794138-3	Terminal	1-1579008-6
	1-794141-3	Terminal	1-1579008-6
	794140	Terminal	1-1579008-6
	794418	Terminal	1-1579008-6
	794421	Terminal	1-1579008-6
	794542	Housing	1-1579008-6
	794550	Housing	1-1579008-6
	794576	Terminal	1-1579008-6
	794577	Terminal	1-1579008-6
	794578	Terminal	1-1579008-6
	794579	Terminal	1-1579008-6
	794594	Housing	1-1579008-6
	794598	Housing	1-1579008-6
794657	Housing	1-1579008-6	
<b>Z-PACK 2MM HM</b>	3-646442-0	Housing	2-1579028-0

## HVA Contacts for High Voltage Applications

Here an example of a High Voltage Contact, which needs an extraction tool in case of a repair.  
Closer information about High Voltage Contact Systems you will obtain from [www.te.com](http://www.te.com). Just enter HVA into the Search window - and you will be given full informaton about the application of this contact system.









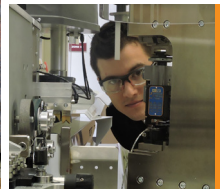
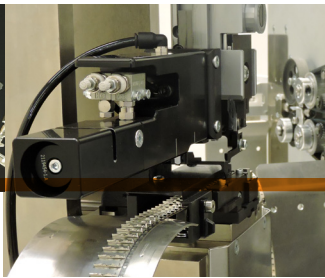
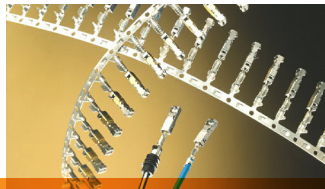
## Let's Connect

Learn more about our comprehensive line of tooling solutions at [tooling.te.com](http://tooling.te.com).



## TE Connectivity Technical Support Center

USA:	1.800.522.6752	UK:	+44.0800.267666
Canada:	1.800.522.6752	France:	+33.1.34.20.8686
Mexico:	+52.55.11.06.0800	Netherlands:	+31.73.624.6999
Latin/S. America	+54.11.4733.2200	China:	+86.400.820.6015
Germany:	+49.6151.607.1999		



### te.com

AMP, AMP MCP, AMPLIMITE, AMPMODU, FASTIN-FASTON, FASTON, LEAVYSEAL, MAG-MATE, MATE-N-LOK, MCON, MQS, MTA, MULTILOCK, NanoMQS, Positive Lock, VAL-U-LOK, TE Connectivity and the TE connectivity (logo) are trademarks. All other logos, products and/or company names referred to herein might be trademarks of their respective owners.

The information given herein, including drawings, illustrations and schematics which are intended for illustration purposes only, is believed to be reliable. However, TE Connectivity makes no warranties as to its accuracy or completeness and disclaims any liability in connection with its use. TE Connectivity's obligations shall only be as set forth in TE Connectivity's Standard Terms and Conditions of Sale for this product and in no case will TE Connectivity be liable for any incidental, indirect or consequential damages arising out of the sale, resale, use or misuse of the product. Users of TE Connectivity products should make their own evaluation to determine the suitability of each such product for the specific application.

© 2019 TE Connectivity Ltd. family of companies All Rights Reserved.

2349726-1 01/19 Rev. A

#### Contact us today to learn more

E-mail (Americas): [fieldservicesnorthamerica@te.com](mailto:fieldservicesnorthamerica@te.com)

Phone (Americas): 800-722-1111 or 717-986-3434

E-mail (EMEA): [TEFE1@te.com](mailto:TEFE1@te.com)

Phone (EMEA): +49-6151-607-1518

For additional information download catalog no.

1-1307619-0 from [tooling.te.com](http://tooling.te.com).

[www.te.com](http://www.te.com)